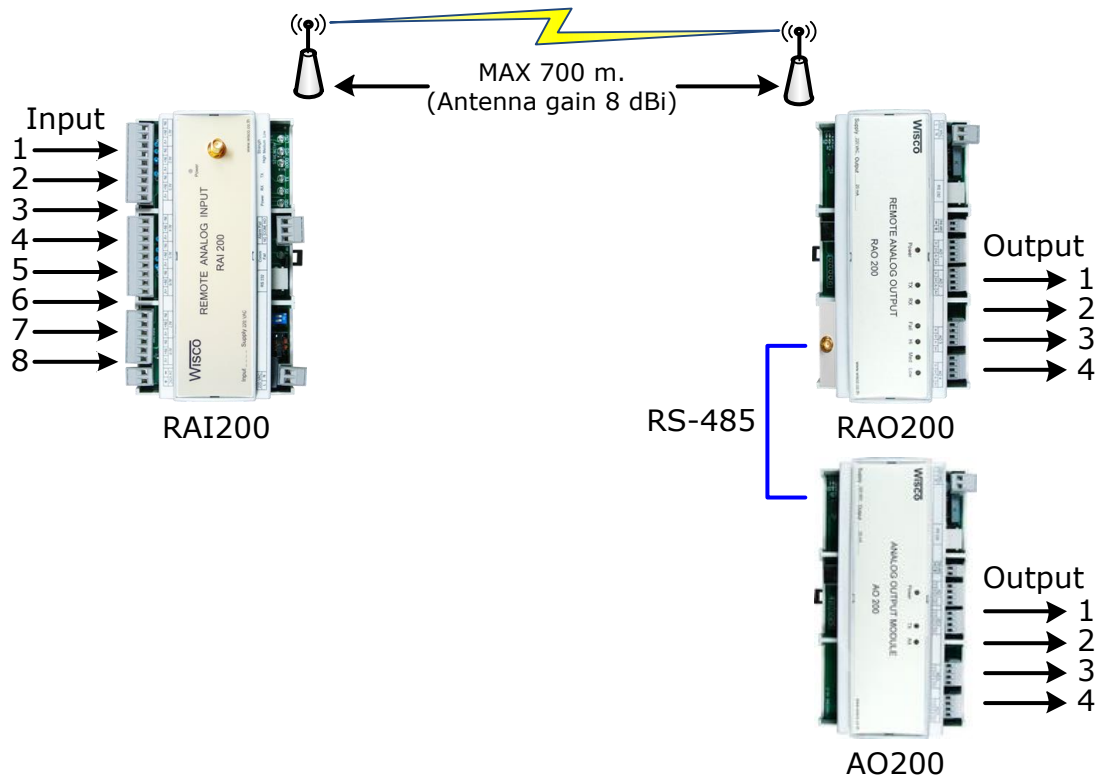



Wireless Remote Analog I/O



Wireless Remote Analog I/O is the device that send analog signal such as 4-20 mA, 0-1 VDC, 0-5 VDC or 0-10 VDC from point to point using radio frequency signal 2.4GHz.

One set is contain of one RAI200 for receiving analog signal and one RAO200 for sending Analog Output to control other device. Analog output can be expanded from 4 channels to 8 channels using one more RAO200 (wireless distance can be extended using our Repeater (RP29))

Specifications	RAI200	RAO200
		 <ul style="list-style-type: none"> - Long Distance 700 m. - Analog Input 8 Channels - Input Voltage or Current
Wireless Interface		
RF Standard:	802.15.4/ZigBee compliant	802.15.4/ZigBee compliant
Frequency Band:	2.4 GHz	2.4 GHz
Max. RF Data Rate:	250 Kbps	250 Kbps
Rx sensitivity:	-102 dBm	-102 dBm
Tx Power:	+10 dBm (Max)	+10 dBm (Max)
Transmission Distance:	Up to 90 m. Indoor/Urban Up to 700 m. Outdoor RF line-of-sight (With Antenna gain > 8 dBi)	Up to 90 m. Indoor/Urban Up to 700 m. Outdoor RF line-of-sight (With Antenna gain > 5dBi)
Antenna Connector:	RP-SMA, Jack/Female	RP-SMA, Jack/Female
Network Topology:	Point-to-Point	Point-to-Point
USB Interface		
Compliance:	-	USB 1.1/2.0 (Configuration)
Connector:	-	USB type B
Speed:	-	12 Mbps (Full-Speed USB)
Class:	-	CDC
Serial Interface		
Serial Standards:	RS-232 RJ12 6 pin connector (Configuration)	RS-232 RJ12 6 pin connector RS-422/485 (Isolated) 2 pin terminal block *** Note RS232/RS485 For Connect to AO200
Loading:	-	RS-485 Max 32 Unit
Distance:	-	RS-232 length 15 m. RS-485 length 1 Km.
Analog Input		
Number of Channel:	8 Channels	-
Input Type:	Voltage or Current	-
Input Range:	Voltage (0 to 1, 0 to 5, 0 to 10 VDC) Current (0 to 20, 4 to 20 mA)	-
Loop Power:	24 VDC (2 Wire)	-
Accuracy:	± 0.05 % (Voltage) ± 0.025 % (Current)	-
ADC Resolution:	16 Bits	-
Analog Output		
Number of Channel:	-	4 Channels (Opto Isolated)
Output Type:	-	Voltage or Current
Output Rang:	-	Voltage (0-5, 1-5, 0-10, 2-10 VDC Optional) Current (4-20 mA)
Accuracy:	-	± 0.1 % (Voltage) ± 0.2 % (Current)
DAC Resolution:	-	16 Bits
Output Impedance:	-	1 KΩ
Isolation voltage:	-	500 VAC, between output and power supply

Relay Output		
Number of Channel:	1 Channel	-
Relay Type:	N.O., N.C.	-
Contact Rating:	30 VDC @ 2 A 60 VDC @ 0.5 A 120 VAC @ 0.5 A	-
Power Requirements		
Power Supply:	220 VAC (12 VDC, 24 VDC Optional)	220 VAC (12 VDC, 24 VDC Optional)
Environmental Limits		
Operating Temperature:	0 to 55 °C	0 to 55 °C
Operating Humidity:	5 to 95% RH	5 to 95% RH
Storage Temperature:	0 to 70 °C	0 to 70 °C
Physical Characteristics		
Dimension:	W160 x H90 x D60 mm.	W160 x H90 x D60 mm.
Mounting:	DIN Rail	DIN Rail
Warranty		
Warranty Period:	5 year	5 year

Wireless Analog Input RAI200

Ordering Information Specify Power Supply, Input
 Example RAI200/220 VAC/4-20 mA

Package Checklist

1. RAI200
2. Manual
3. CD Software

Wireless Analog Output RAO200

Ordering Information Specify Power Supply
 Example RAO200/220 VAC

Package Checklist

1. RAO200
2. Manual
3. CD Software

Package Checklist

1. RI200
2. RAO200
3. Manual
4. CD Software