

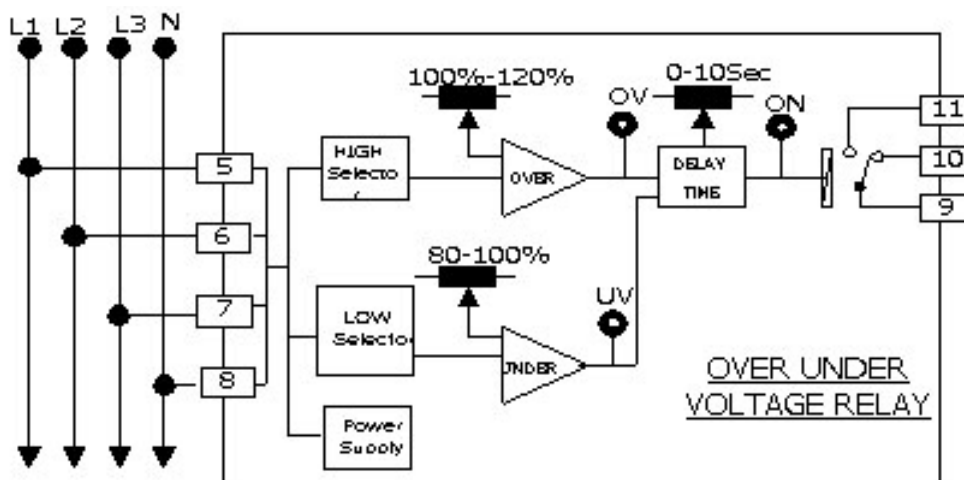
Voltage Relay

VR95



- ป้องกันแรงดันไฟฟ้าเกินหรือตก
- สามารถตั้งหน่วงเวลาได้ 0 - 10 วินาที
- มี LED แสดงสถานะของ Relay
- มี LED แสดงสถานะแรงดันไฟฟ้าตกหรือเกิน

Voltage Relay VR95 The Voltage Relay monitors the average of input voltage. The relay is energized and red LED. Lights up if the voltage is within the set-point limit. When the measured voltage moves outside the set-point limit, the relay will be deenergized. It is also fitted with an adjustable time delay to eliminate voltage fluctuations. The Voltage Relay can be used to protect against under or over voltage, to start up standby generators, to operate mains failure units, for switching standby hybrid supplies, protecting computer supplies and similar where close regulation is required.



Specifications

Input

Number of channel: 1 Channel

Input type: 3 phase (4 wire)

Input range: 100, 110, 220, 380 VAC
(Line voltage)

Over voltage: Adjustable 100 to 120 %
of Vn

Under voltage: Adjustable 100 to 80 %
of Vn

Time delay: Adjustable 0 to 10 sec.

Relay Output

Number of channel: 1 Channel

Relay Type: N.O., N.C. (SPDT)

Contact Rating: 3 A @ 250 VAC

Ordering Information: Specify Input

Example VR95/380VAC

Package Checklist

1. VR95

Power Requirements

Power Supply: 110, 220 VAC

Environmental Limits

Operating Temperature: 0 to 55 °C

Operating Humidity: 5 to 95% RH

Storage Temperature: 0 to 70 °C

Physical Characteristics

Dimension: W50 x H70 x D130 mm.

Mounting: Wall or DIN rail

Connection: Plug-in 11 pins socket

Wiring: Screw terminals on base socket

Warranty

Warranty Period: 5 year