

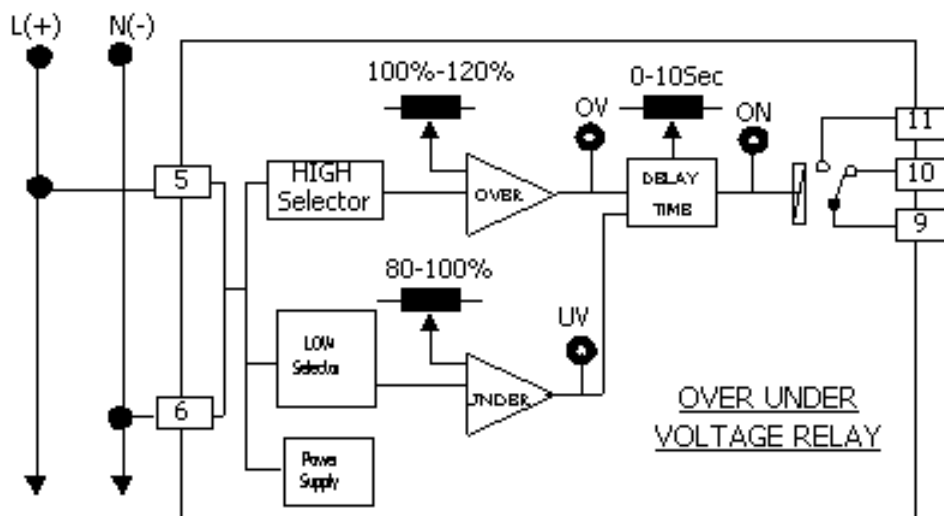
# Voltage Relay

## VR195



- ป้องกันแรงดันไฟฟ้าเกินหรือตก
- ช่วยลดความเสียหายของอุปกรณ์ไฟฟ้าเนื่องจากแรงดันไฟฟ้าผิดปกติ
- สามารถตั้งหน่วงเวลาได้ 0-10 วินาที
- มี LED แสดงสถานะแรงดันไฟฟ้าตกหรือเกิน

**Voltage Relay VR195** The Voltage Relay monitors the input voltage. The relay is energized and red LED. Lights up if the voltage is within the set-point limit. When the measured voltage moves outside the set-point limit, the relay will be deenergized. It is also fitted with an adjustable time delay to eliminate voltage fluctuations. The Voltage Relay can be used to protect against under or over voltage, to start up standby generators, to operate mains failure units, for switching standby hybrid supplies, protecting computer supplies and similar where close regulation is required.



## Specifications

### Input

**Number of channel:** 1 Channel

**Input type:** Single Phase

**Input range:** 100, 110, 220 VAC,  
24, 48, 110, 125 VDC

**Over voltage:** Adjustable 100 to 120 %  
of Vn.

**Under voltage:** Adjustable 100 to 80 %  
of Vn.

**Time delay:** Adjustable 0 to 10 sec.

### Relay Output

**Number of channel:** 1 Channel

**Relay Type:** N.O., N.C. (SPDT)

**Contact Rating:** 3 A @ 250 VAC

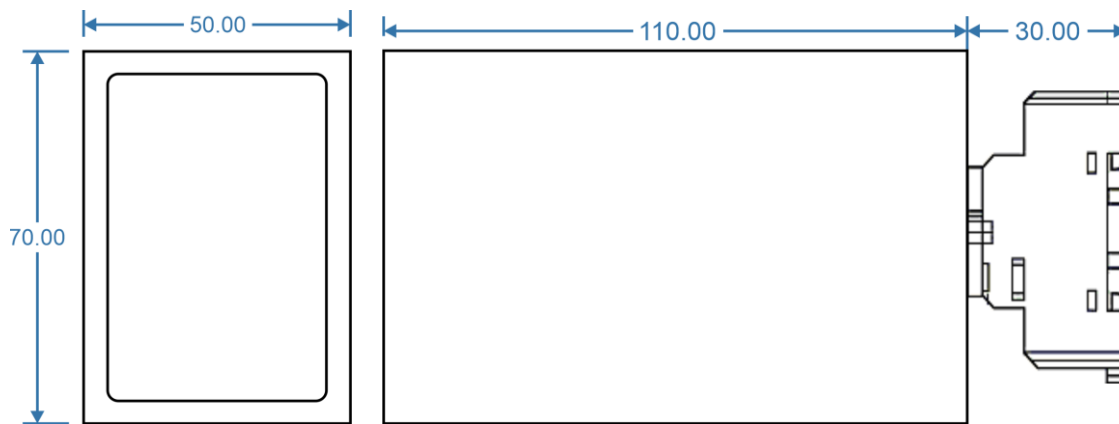
**Ordering Information:** Specify Input

Example VR195/220VAC

### Package Checklist

1. VR195

**Dimension (Unit: mm.)**



### Power Requirements

**Power Supply:** 110, 220 VAC

### Environmental Limits

**Operating Temperature:** 0 to 55 °C

**Operating Humidity:** 5 to 95% RH

**Storage Temperature:** 0 to 70 °C

### Physical Characteristics

**Dimension:** W50 x H70 x D130 mm.

**Mounting:** Wall or DIN rail

**Connection:** Plug-in 11 pins socket

**Wiring:** Screw terminals on base socket

### Warranty

**Warranty Period:** 5 year