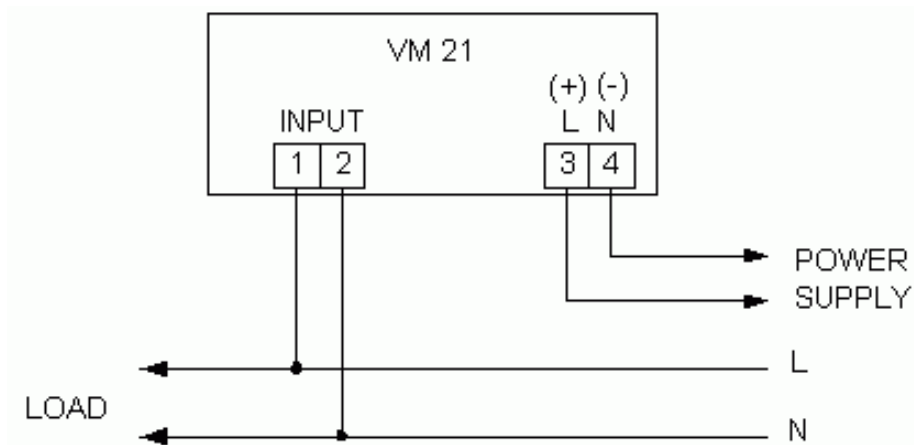


# AC Volt Meter(Single Phase) VM21

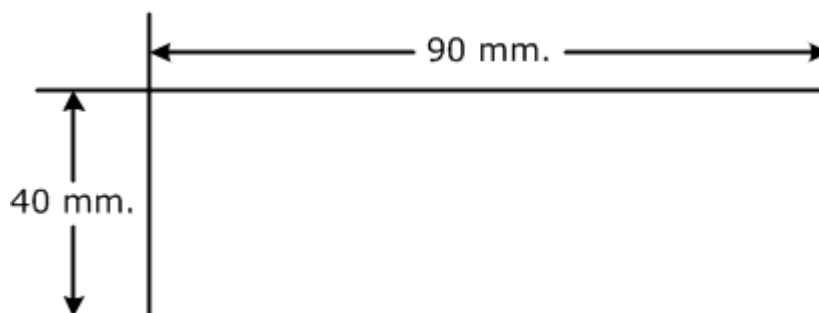


- Display AC voltage
- 3 digits LED display
- 20 mm. display height

**AC Volt Meter VM 21** เป็น AC Voltmeter แสดงค่า AC Voltage แบบตัวเลข Digital



**Panel Cutout**



## Specifications

### Monitor

**Display:** 3 Digits, 20 mm. (7-segment)

**Display Color:** Red (std)

### Input

**Number of channel:** 1 Channel

**Input type:** Voltage

**Input range:** 0 to 500 VAC

**Linearity:**  $\pm 0.25$  % of measuring range

**Accuracy:**  $\pm 0.25$  % + 1 digit of measuring range

### Power Requirements

**Power Supply:** 110, 220 VAC

(24, 110, 125 VDC (Optional))

**Ordering Information:** Specify Power Supply

Example VM21/220 VAC

### Package Checklist

1. VM21

### Environmental Limits

**Operating Temperature:** 0 to 55 °C

**Operating Humidity:** 5 to 95% RH

**Storage Temperature:** 0 to 70 °C

### Physical Characteristics

**Dimension:** W96 x H48 x D120 mm.

**Dimension:** W90 x H40 mm.

**Mounting:** Panel flush mounting

**Wiring:** Screw terminals

### Warranty

**Warranty Period:** 5 year