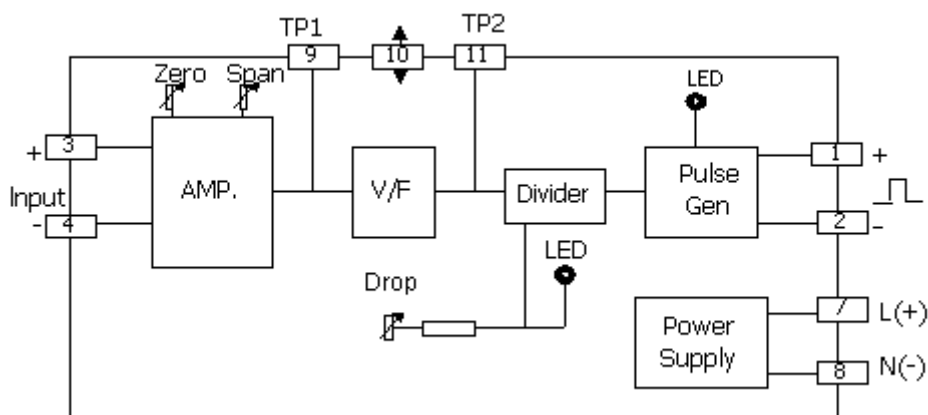


Totalizer TL95



- Linear totalization
- Selectable Input Signal
- High accuracy

Totalizer TL95 accepts standard current or voltage input and produce a pulse signal that drivers a totalizing counter. The output frequency is linearly propotional to the input signal. The output pulse can be scaled to represent gallons, barrels, litres, tons, BTU, KW/H or any other engineering unit, by selection of the proper output span. The count dropout is adjustable from 0 % to 20 % of full scale to eliminate false totalization of unwanted low level noise signals.



Specifications

Analog Input

Number of Channel: 1 Channel

Input Type: Current, Voltage

Input Range:

Current (0 to 20, 4 to 20 mA)

Voltage (1 to 5, 0 to 10 VDC)

Digital Output

Number of Channel: 1 Channel

Output Type: Pulse (Output Pulse

Compatible With External Standard

Electronic or Electromechanical Counter)

Output Range: Pulse Range 25 - 51200

Count / Hour

Linearity: $< \pm 0.2$ % of Span.

Drop Out: 0 - 20 % of Span.

Ordering Information: Specify Input, Output range, Power supply

Example TL95/4-20mA/400C/ H /220VAC

Package Checklist

1. TL95

Power Requirements

Power Supply: 110, 220 VAC (24 VDC Optional)

Environmental Limits

Operating Temperature: 0 to 55 °C

Operating Humidity: 5 to 95% RH

Storage Temperature: 0 to 70 °C

Physical Characteristics

Dimension: W50 x H70 x D130 mm.

Mounting: Wall or DIN rail

Connection: Plug-in 11 Pins Socket

Warranty

Warranty Period: 5 Year