

Speed Sensing Relay

SS95



- Magnetic pick-up input
- 3 Speed set point
- Output relay contact

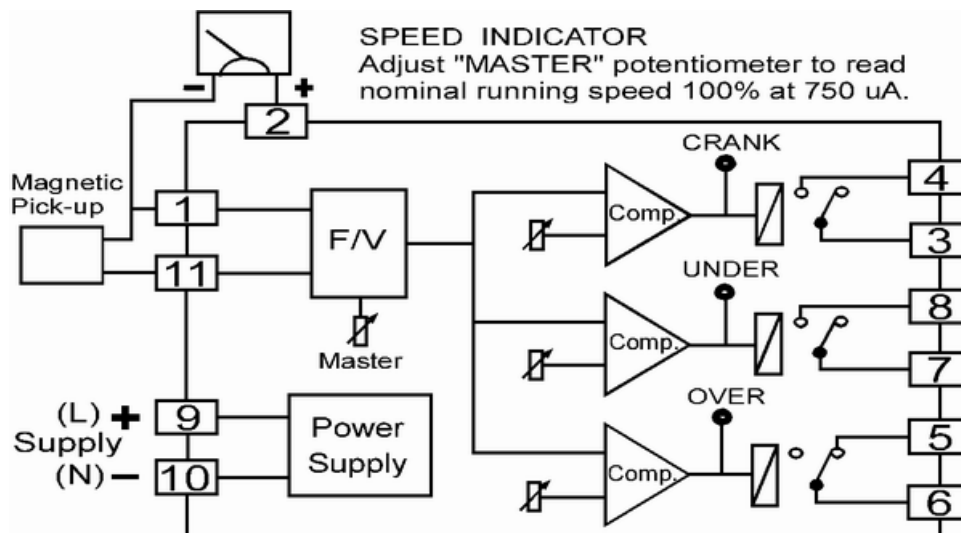
Speed Sensing Relay SS95 provides 3 user adjustable trip levels with LED relay state indication and a speed indicator output signal. Trip functions provided are

CRANK disengages the crank starter

UNDER SPEED energises protection or underspeed alarm

OVER SPEED alarms or trips on overspeed

A magnetic pick-up, situated close to the engine flywheel, produces a high frequency pulse train directly proportional to the number of teeth passing it. The frequency of these pulse is converted to an analogue signal which is used to provide both engine speed indication and the signal to the trip circuitry.



Specifications

Input

Number of channel: 1 Channel

Input type: Pulse, Frequency

Input range:

Pulse (0.5 V to 75 V peak to peak)

Frequency (1 KHz to 10 KHz

(RPM. x number of teeth)/ 60)

Set Point

Crank: 10% to 50%

Under speed: 50% to 100%

Over speed: 100% to 130%

Relay Output

Number of channel: 3 Channel

Relay type: N.O. (SPDT)

Contact Rating: 3 A @ 250 VAC

Calibration value: 0.75 mA = 100 %,

1 mA = 133 % of nominal speed

Crank: Relay energises at setpoint

Under speed: Relay energises at setpoint

Over speed: Relay de-energises at setpoint

Reset: Automatic

Power Requirements

Power Supply: 12 VDC or 24 VDC

(± 20 %)

Environmental Limits

Operating Temperature: 0 to 55 °C

Operating Humidity: 5 to 95% RH

Storage Temperature: 0 to 70 °C

Physical Characteristics

Dimension: W50 x H70 x D130 mm.

Mounting: Wall or DIN rail

Connection: Plug-in 11 pins socket

Wiring: Screw terminals on base socket

Warranty

Warranty Period: 5 year

Ordering Information: Specify 100 % input frequency, Power supply, Set point

Example SS95/3 KHz/12V/Crank 20 %/Underspeed 80 %/Overspeed 120 %

Package Checklist

1. SS95