

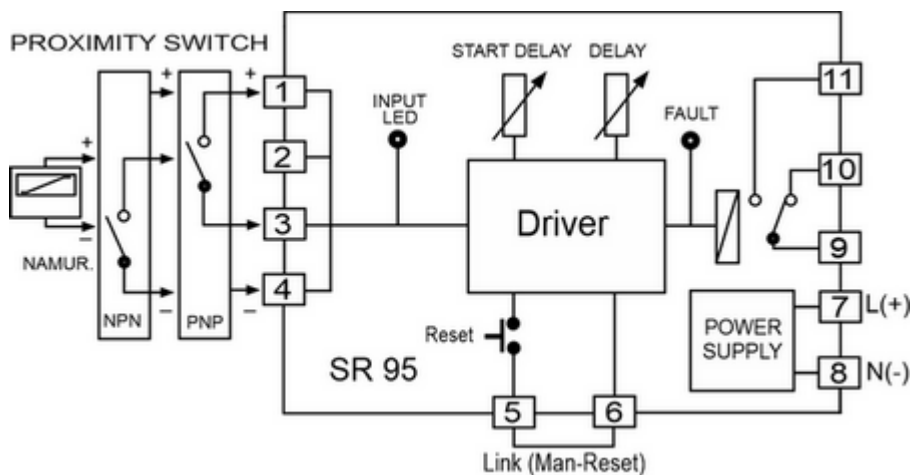
Zero Speed Relay

SR95



- ตรวจสอบการหมุนของมอเตอร์
- ตรวจสอบการทำงานของสายพาน
- ใช้กับ Proximity Switch ได้ทุกชนิด

Zero Speed Relay SR95 receives input pulse from proximity sensor. If the pulse come continuously the relay will deenergize (OFF). But if the pulse miss within the preset time("DELAY") the relay will energize (ON). SR95 is used to detect under speed of gear motor, conveyor or slow moving object on the production line.



Specifications

Digital Input

Number of Channel: 1 Channel

Sensor Type: DC Proximity Switch

2 Wire (NAMUR), 3 Wire (NPN or PNP)

Start - Delay: 0 to 30 Sec

Delay: 1 to 10 Sec

Frequency: Max. 10 KHz

Relay Output

Number of Channel: 1 Channel

Relay Type: N.O., N.C. (SPDT)

Contact Rating: 3 A @ 250 VAC

Power Requirements

Power Supply: 110, 220 VAC

Ordering Information: Specify Power Supply

Example SR95/220VAC

Package Checklist

1. SR95

Environmental Limits

Operating Temperature: 0 to 55 °C

Operatng Humidity: 5 to 95% RH

Storage Temperature: 0 to 70 °C

Physical Characteristics

Dimension: W50 x H70 x D130 mm.

Mounting: Wall or DIN Rail

Connection: Plug - in 11 pins socket

Wiring: Screw Terminals on Base Socket

Warranty

Warranty Period: 5 Year

