

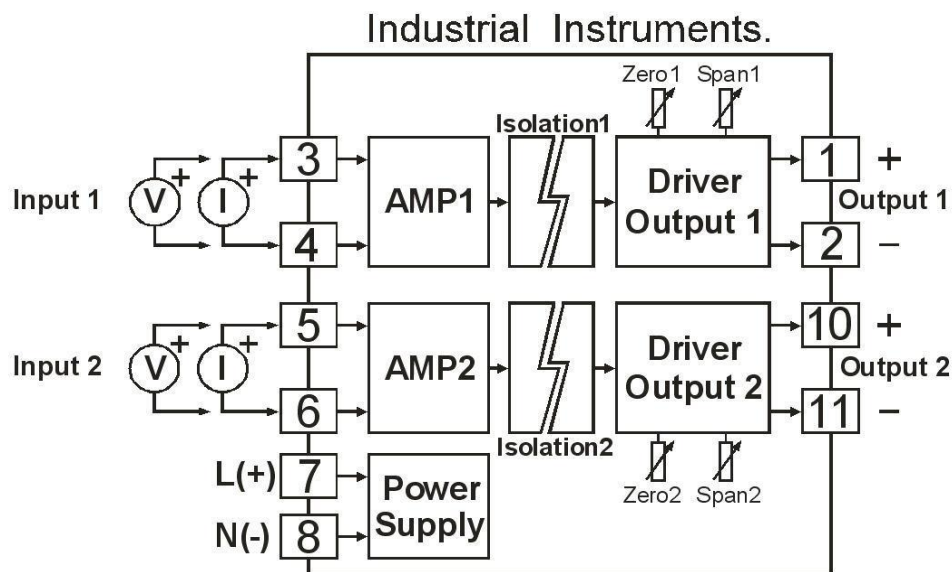
Signal Converter 2 Channels

SC99



- Selectable DC. Voltage or DC. current input
- Two isolated channels
- Isolated input, output and power supply
- Plug-in socket structure

Signal Converter SC99 accepts any standard input signals and converts to two isolated outputs signals. Low input resistance to current signals and high input resistance to voltage signals mean the signal converter can be inserted into existing system with no loss of performance. To minimize noise and other signal errors, the Signal Converter also features complete galvanic isolation of input, output and power supply.



Specifications

Analog Input

Number of Channel: 2 Channels

Input Type: Current, Voltage

Input Range:

Current (0 to 20, 4 to 20 mA)

Voltage (0 to 5, 1 to 5, 0 to 10 VDC)

Input Impedance:

Current (Max. 20 Ω Load)

Voltage (Min. 2000 Ω Load)

Analog Output

Number of Channel: 2 Channels

(Isolated)

Output Type: Current, Voltage

Output Range:

Current (0 to 20, 4 to 20 mA)

Voltage (0 to 5V, 1 to 5V, 0 to 10 VDC)

Linearity: < 0.2% of Span

Output Load Resistance:

Current (Max. 1000 Ω Load)

Voltage (Min 1000 Ω Load)

Isolation Voltage: 500 VAC Between

Input, Output and Power Supply

Ordering Information: Specify Input 1, Input 2, Output 1, Output 2, Power Supply

Example SC99/0-10V/0-10 VDC /4-20 mA/4-20 mA/220 VAC

Package Checklist

1. SC99

Power Requirements

Power Supply: 100, 110, 220 VAC

(24 VDC Optional)

Environmental Limits

Operating Temperature: 0 to 55 °C

Operating Humidity: 5 to 95% RH

Storage Temperature: 0 to 70 °C

Physical Characteristics

Dimension: W50 x H70 x D130 mm.

Mounting: Wall or DIN rail

Connection: Plug-in 11 Pins Socket

Warranty

Warranty Period: 5 Year