

RS485 Repeater RP24



- Extend RS485 Distance
- 115.2 Kbps Data Rate
- Galvanic Isolation

RS485 Repeater RP24 is designed as a robust repeater for industrial applications where galvanic isolation is important. It can be used to extend both the distance and number of nodes on RS485 (2-Wire) network. Galvanic Isolation helps eliminate noise and protects equipment from destructive transients found in industrial application.

Specifications

Serial Interface

Serial Standards: RS485 (Isolated)

Distance: RS485 Up to 1.2 Km. on Each Side

Data Rate: Up to 115.2 Kbps

Operating Mode:

RS485 (2-Wire Half-Duplex)

Isolation: Between Input, Output and Power Supply

Power Requirements

Power Supply: 110 VAC, 220 VAC, 12 or 24 VDC (Optional)

Environmental Limits

Operating Temperature: 0 to 55 °C

Operating Humidity: 5 to 95% RH

Storage Temperature: 0 to 70 °C

Physical Characteristics

Dimension: W50 x H70 x D130 mm.

Mounting: Wall or DIN Rail

Connection: Plug-In 11 Pins Socket

Warranty

Warranty Period: 5 year

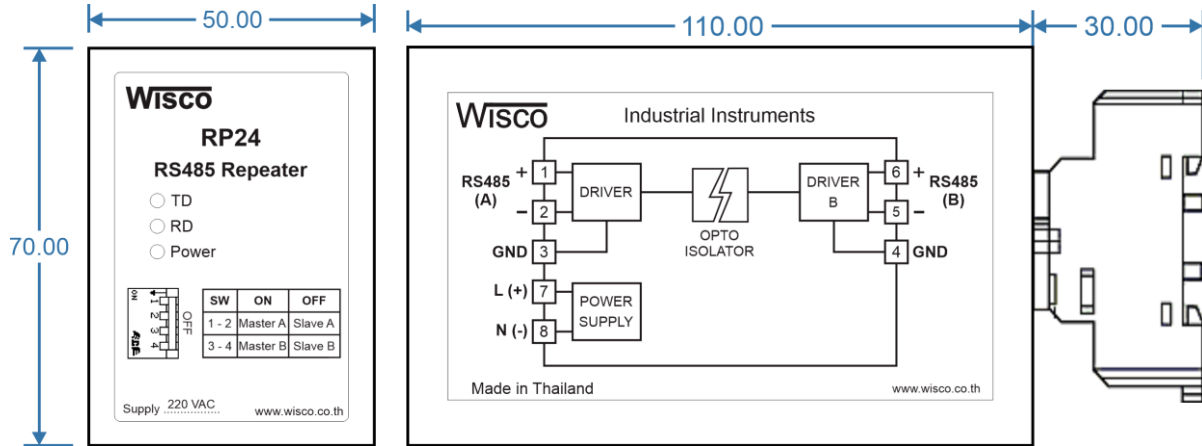
Ordering Information: Specify Power Supply

Example RP24/220VAC

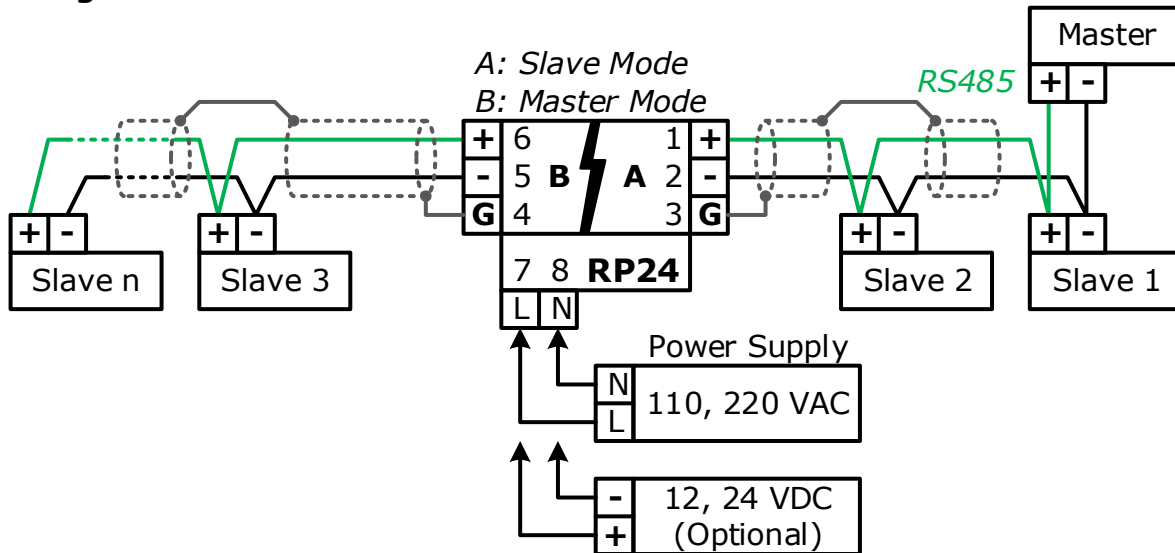
Package Checklist

1. RP24

Dimension (Unit: mm.)



Wiring



DIP Switch Setting		
SW	ON	OFF
1 - 2	Master A	Slave A
3 - 4	Master B	Slave B

Note: Built-In Terminate Resistance 120 Ω (Slave Mode)