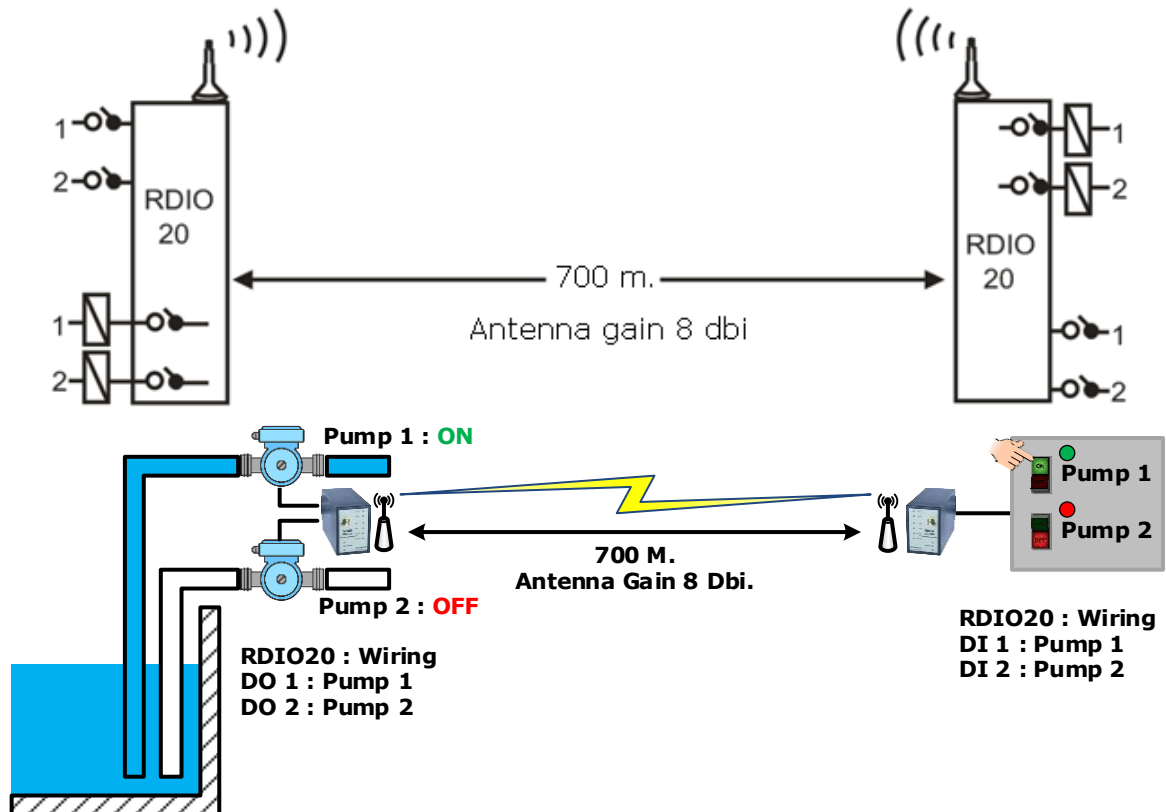


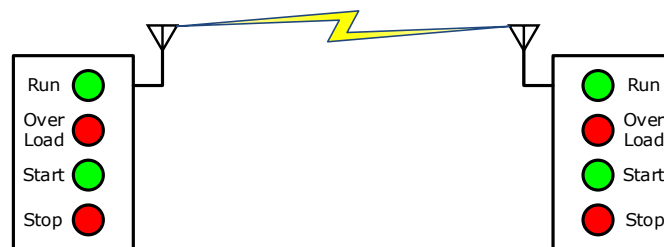
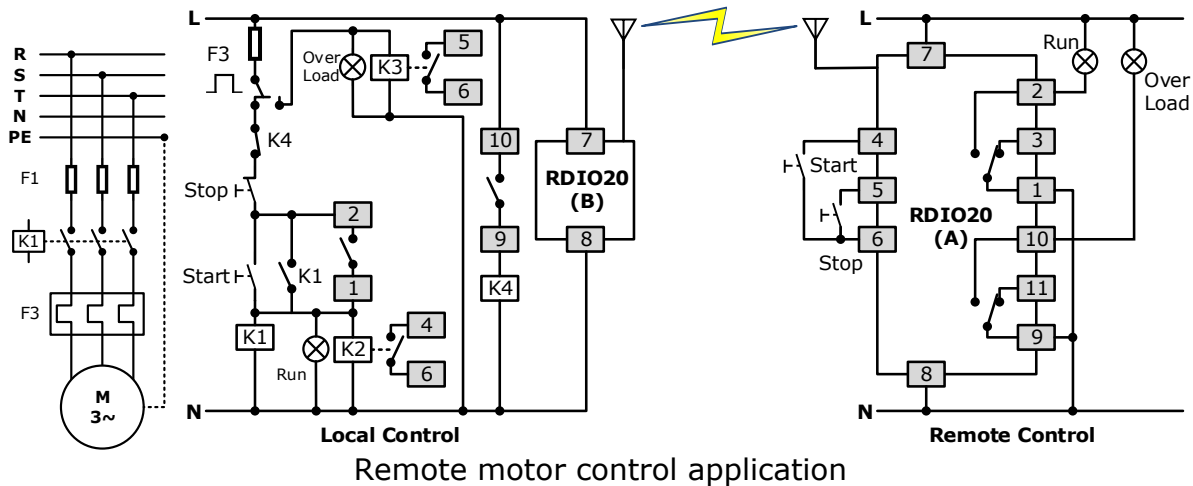
Wireless Switch RDIO20



- Control 2 Input / Output
- Long Distance 700 m.
- No Wiring (RF Link)

Wireless Switch RDIO 20 is control switch device for turn on-off via radio frequency. It is a wireless unit so there is no cost for wiring and it is easy to install.





Specifications

Wireless Interface

RF Standard: 802.15.4/Zigbee Compliant

Frequency Band: 2.4 GHz

Max. RF Data Rate: 250 Kbps

RX Sensitivity: (-)102 dBm

TX Power: (+)10 dBm (Max)

Transmission Distance:

Up to 90 m. Indoor/Urban

Up to 700 m. Outdoor RF line-of-sight

(With Antenna gain > 8 dBi)

Antenna Connector:

RP-SMA Jack/Female

Network Topology: Point-to-Point

Digital Input

Digital Channel: 2 Channels

Sensor Type: Dry Contact (Opto Isolated)

Dry Contact:

ON: Short to GND

OFF: Open

Ordering Information: Specify Power Supply

Example RDIO20/220VAC

Package Checklist

1. RDIO20

Relay Output

Number of Channel: 2 Channels

Relay Type: NO / NC

Contact Rating: 6A@250VAC, 6A@30VDC

Power Requirements

Power Supply: 85 to 230 VAC

(12 to 35 VDC Optional)

Environmental Limits

Operating Temperature: 0 to 55 °C

Operating Humidity: 5 to 95% RH

Storage Temperature: 0 to 70 °C

Physical Characteristics

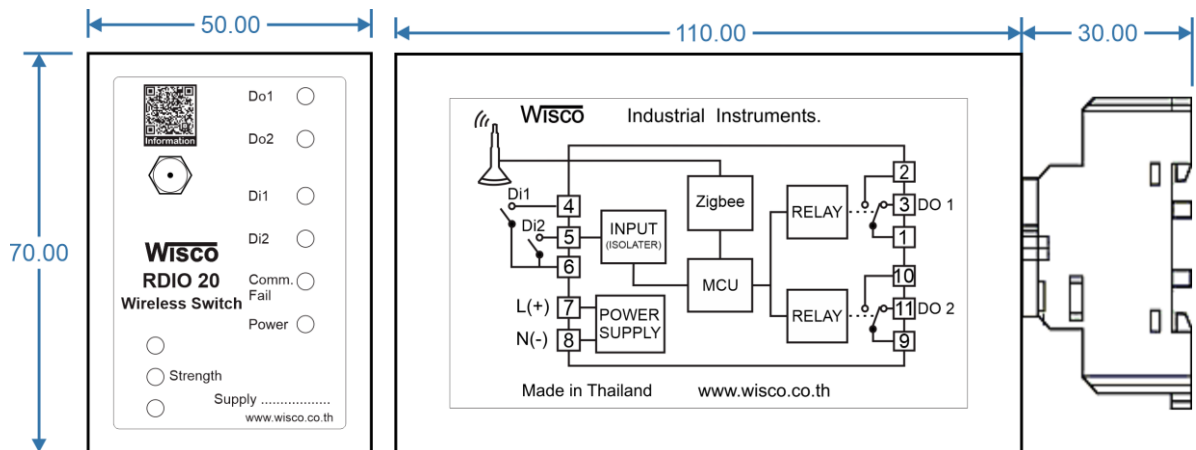
Dimension: W50 × H70 × D130 mm.

Mounting: DIN Rail

Warranty

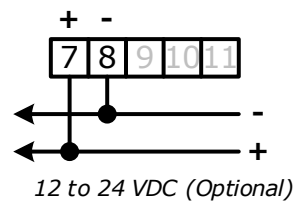
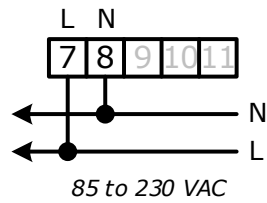
Warranty Period: 5 Year

Dimension (Unit: mm.)

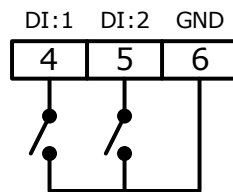


Wiring

Supply



Digital Input



Digital Output

