

# Modbus Data Logger

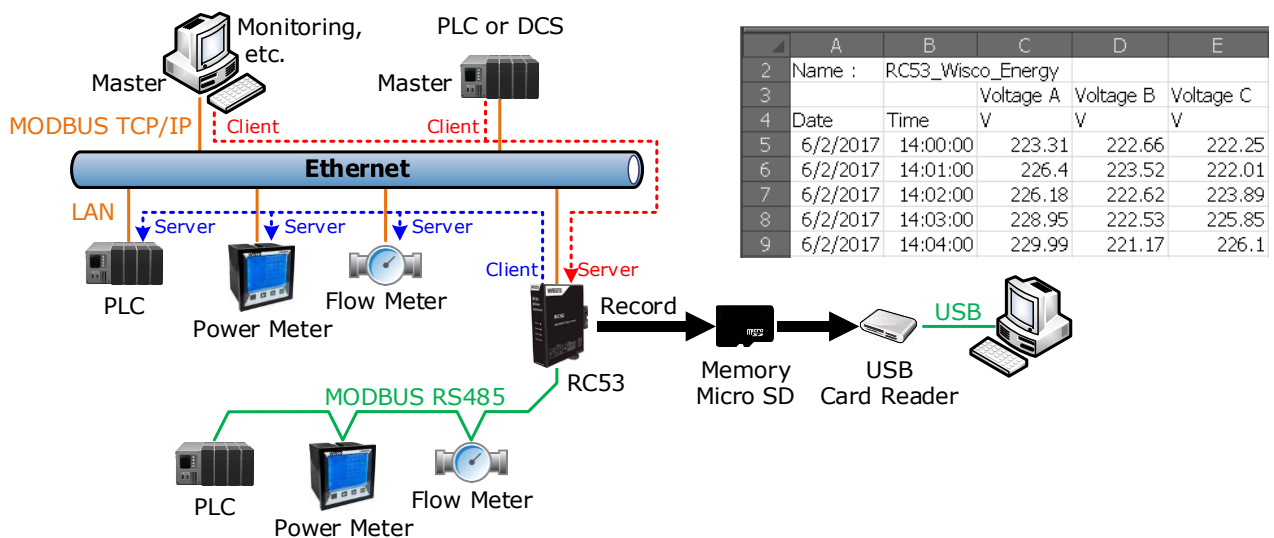
## RC53



- Keep Data as Tag Max. 80 Tags (128 Tags Option)
- Keep Record in csv File Format (Excel)
- Remappable Modbus Register Address
- Provides Modbus TCP Server
- Support Micro SD Card up to 32 GB.

**Modbus Data Logger RC53** is equipment that is designed to help collect the data from field devices such as PLC, Power Meter, Flow Meter, Analog Module, RTU and etc. it can be communication with MODBUS RTU/ASCII/TCP Protocol. Data will store as "Data Tag", the same process as SCADA communicate to database. Data will be stored on Micro SD Card which can be removing for downloading data to computer or notebook.

Data can be applied with Microsoft Excel or Microsoft Word to calculate, Plot trend graph or making report.



## Specifications

### Ethernet Interface

**Speed:** 10/100 Mbps, Full-duplex or Half-duplex, Auto MDI/MDIX

**Connector:** RJ45

**Standard:** 10 Base-T/100 Base-T Standard

**Transmission:** 100 m.

**Protocols:** TCP/IP, UDP, DHCP, HTTP, MODBUS TCP Server (Max. 4 Connection), MODBUS TCP Client (Max. 4 Connection)

**Configuration:** Web Console

### Serial Interface

#### Serial Standards:

RS232 Through D-Type 9 Pin Connector  
RS485/422 (Isolated) 5 Pin Terminal Block

**Loading:** RS485/422 Max 32 Unit

#### Distance:

RS232 Length 15 m.  
RS485/422 Length 1 Km.

**Protocol:** Modbus RTU, ASCII

### Serial Parameter

**Baud Rate:** 4800, 9600, 19200, 38400, 57600, 115200

**Data Bits:** 7, 8

**Stop Bit:** 1, 2

**Parity:** None, Odd, Even

**Ordering Information**      Specify Data Capacity

Example                      RC53/80 Tags

### Package Checklist

1. RC53
2. LAN Cable
3. Memory Card

## Record

**Storage Interface:** 4 - 32 Gbytes

**Data Tag:** 80 Tags (128 Tags Optional)

### Power Requirements

**Power Supply:** 12 to 24 VDC

### Power Consumption

**Standby:** 80 mA @ 12 VDC (960 mW)

### Environmental Limits

**Operating Temperature:** 0 to 55 °C

**Operating Humidity:** 5 to 95% RH

**Storage Temperature:** 0 to 70 °C

### Physical Characteristics

**Dimension:** W30 x H122 x D98 mm.

**Mounting:** DIN Rail

### Warranty

**Warranty Period:** 5 Year