

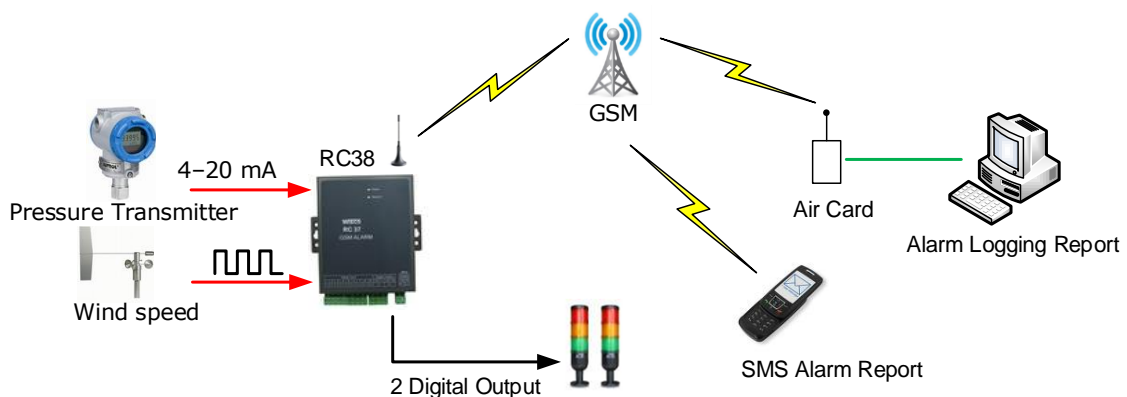
# GSM Alarm RC38



- 4 Analog Channels High-Low Alarm
- 2 Digital (Counter or Status) Alarm
- Programmable SMS Message
- Two Relay Output Control VIA SMS
- Read Out VIA SMS
- Built-in 3G Modem (UMTS/HSDPA)

**GSM Alarm RC38** When alarm happen RC38 will send SMS to the destination which was pre programmed. The alarm conditions as the following

- 1. Analog Input Alarm** Each analog input can program 2 alarm levels.
- 2. Digital Input Alarm** When digital input change status
- 3.** More than this we can send SMS to control (on - off) 2 internal relays of RC38. And can send SMS to read the value of analog input



DateTime	Sender	Message
13/1/2553 17:56:51	66896252145	Rayong Plant : Tank B High Temp
13/1/2553 15:05:25	66891542156	Bangkok Plant : Tank B Low Alarm
12/1/2553 8:14:37	66894258474	Saraburi Plant : Power Up
11/1/2553 10:44:45	66894258474	Saraburi Plant : Power Fall
11/1/2553 22:30:55	66895845845	Rayong Plant : Tank A High Alarm

Example of SMS Report

## Specifications

### Cellular Interface

**Dual Band:** UMTS/HSDPA (900/2100 MHz)

**Quad Band:** GSM/GPRS/EDGE  
(850/900/1800/1900 MHz)

**GPRS multi-slot:** Class 12

**EDGE multi-slot:** Class 12

**WCDMA 3GPP:** Release 5

### Output power:

UMTS 850/1900: 0.25W

UMTS 900/2100: 0.25W

GSM 850/GSM 900: 2W

DCS 1800/PCS 1900: 1W

### Data Transfer (Max.):

*HSDPA:* 3.6 Mbps (DL)

*WCDMA:* 384 Kbps (DL), 384 Kbps (UL)

*EDGE Class:* 236.8 Kbps (DL), 118 Kbps (UL)

*GPRS:* 85.6 Kbps (DL), 42.8 Kbps (UL)

*CSD:* GSM data rate 14.4 Kbps

### USB Interface

**Compliance:** USB 1.1/2.0

**Connector:** USB Type B

**Speed:** 12 Mbps (Full-Speed USB)

**Class:** CDC

**Operating System:** Windows 98/SE, ME, NT, 2000, XP, Vista, 7, 8, 10 (32 and 64 Bit)

### Analog Input

**Number of channel:** 4 channels

**Input type:** Current, Voltage

### Input range:

Current (4 to 20 mA)

Voltage mVDC (0 to 100 mVDC (Optional))

Voltage (0 to 5, 1 to 5, 0 to 10 VDC (Optional))

**ADC Resolution:** 16 Bits

### Ordering Information

Specify input range

Example RC38/12-24 VDC/4-20mA

### Package Checklist

1. RC38
2. Antenna
3. USB Cable
4. Manual
5. CD-Software

### Digital Input

**Digital Channel:** 2 channels

**Sensor Type:** NPN open collector or Dry Contact

**I/O Mode:** DI or Even Counter

### Dry Contact:

ON : Short to GND

OFF : Open

**Counter Frequency:** Max 20 Hz

**Minimum Pulse Width:** 50 ms

**Accuracy:**  $\pm 0.2$  % of span

### Relay Output

**Number of Channel:** 2 channels

**Relay Type:** N.O. or N.C.

### Contact Rating:

6 A @ 250 VAC

6 A @ 30 VDC

### Power Requirements

**Power Supply:** 12 to 24 VDC

### Power Consumption

**Standby:** 90 mA @ 12 VDC

**GPRS Link:** 110 mA @ 12 VDC

### Environmental Limits

**Operating Temperature:** 0 to 55 °C

**Operating Humidity:** 5 to 95% RH

**Storage Temperature:** 0 to 60 °C

### Physical Characteristics

**Dimension:** W100 x H123 x D30 mm.

**Mounting:** Screw

### Warranty

**Warranty Period:** 5 Year