

Modbus Gateway

RC32



- Convert between Modbus TCP and Modbus RTU/ASCII
- 1 Ethernet port and 1 RS-232, RS422/485 ports
- Supports 8 TCP MODBUS Protocol Device and 32 MODBUS Serial Connection
- Easy hardware setup and configuration

Modbus Gateway RC32 is communication device between Modbus TCP and Modbus RTU/ASCII. RC32 can connect to serial no matter it is Master or Slave, for Ethernet it can connect as Master or Client (Modbus TCP Master, Modbus TCP Slave). One Master can be connecting to 8 clients simultaneously. RC32 is set up by PC Program.

Specifications

Ethernet Interface

Speed: 10/100 Mbps, Full-Duplex or Half-Duplex, Auto MDI/MDIX

Connector: RJ45 (10 Base-T) Ethernet

Standard: Accord 10 Base-T/100 Base-T Standard

Data Rates: 300 - 115,200 bps

Transmission: 100 m.

Magnetic Isolation Protection: 15 KV Built-In

Protocols: MODBUS TCP

Serial Interface

Serial Standards:

RS232 Connector DB9 Male

RS485/422 (Isolated) 4 Pin Socket

Loading: RS485/422 Max 32 Unit

Distance:

RS232 Length 15 m.

RS485/422 Length 1 Km.

Protocol: MODBUS ASCII/RTU

Supply Software: Citect, Wonderware, LAB View Etc.

Serial Parameter

Baud Rate: 4800, 9600, 19200, 38400, 57600, 115200

Data Bits: 7, 8

Stop Bits: 1, 2

Parity: None, Even, Odd

Software

Operation Mode: RTU Slave, RTU Master, ASCII Slave, ASCII Master

Multi-Master and Multi-Drop

Master Mode: 8 Connection

Slave Mode: 8 Connection

Power Requirements

Power Supply: 220 VAC

12 VDC, 24 VDC (Optional)

Environmental Limits

Operating Temperature: 0 to 60 °C

Operating Humidity: 5 to 95% RH

Storage Temperature: 0 to 85 °C

Physical Characteristics

Dimensions: W50 x H70 x D130 mm.

Mounting: Wall or DIN Rail

Connection: Plug-In 11 Pins Socket

Housing: Plastic

Warranty

Warranty Period: 5 Year

Ordering Information

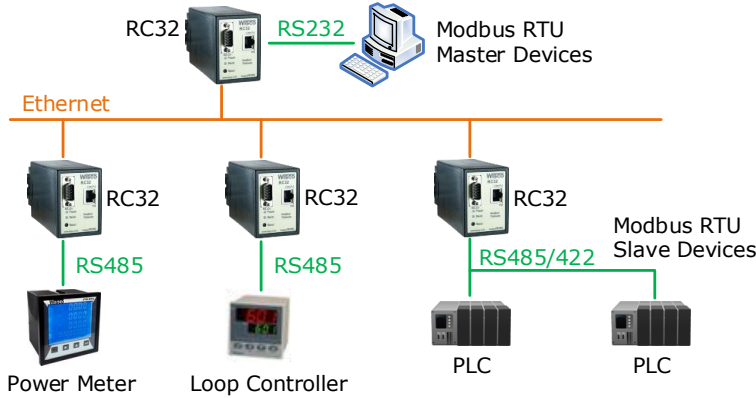
Example

Package Checklist

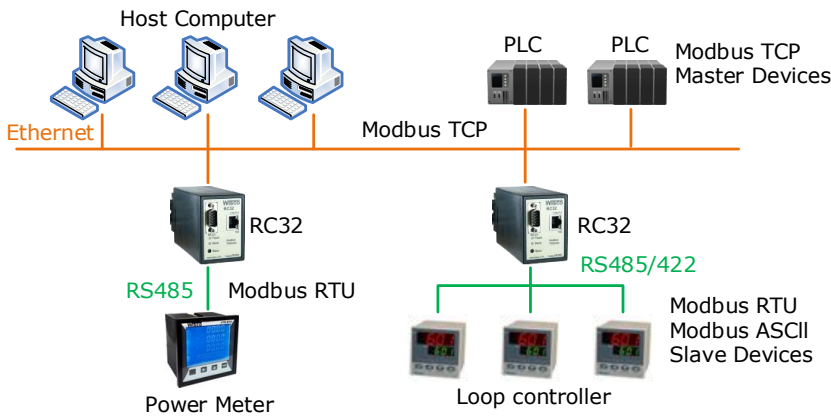
Power Supply
RC32/220 VAC

1. RC32

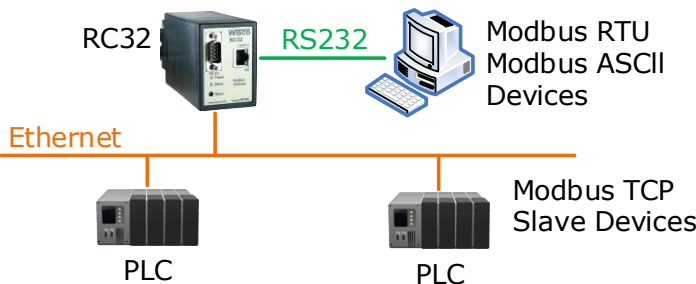
2. LAN Cable



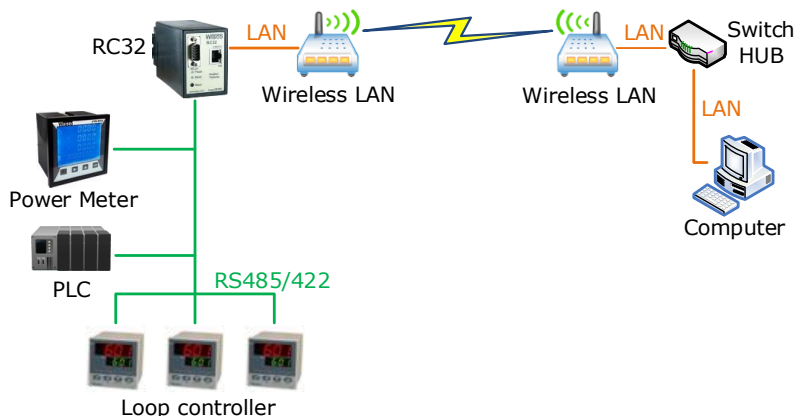
Serial Master Device
communicate with Serial
Slave Device via Ethernet
Communication



Modbus TCP Device
communicate with various
Modbus RTU/ASCII Device



Modbus RTU/ASCII Device
communicate with Modbus
TCP Devices



RC32 with Wireless LAN