

# USB to RS-232/RS-485/422 Converter RC22



- RS-485 (2-Wire)
- 115.2 kbps Data Rate
- Opto Isolation
- Internal Power Supply

**USB to RS-232/RS-485/422 Converter RC22** Provides USB Port (Universal Serial Bus) that convert to isolated RS-232 and RS-485 that done not require PCI/ISA slots or IRQS. Simply plug the converter into an available USB port on your computer or hub. Windows will configure the converter as an additional COM Port, compatible with your Windows applications.

A pair of LEDs show when data is being received or transmitted. USB bus supplies power, so no separated power supply is needed. 2000 VAC of isolation.

## Specifications

### USB Interface

**Compliance:** USB 1.1/2.0

**Connector:** USB Type B

**Speed:** 12 Mbps (Full-Speed USB)

**Class:** CDC

**USB Power:** Low Power Device  
(Draws < 100 mA)

### Operating System:

Windows 10

Windows 10 x64

Windows 8.1

Windows 8.1 x64

Windows Server 2012

Windows 8

Windows 8 x64

Windows Server 2008 R2

Windows 7

Windows 7 x64

Windows Server 2008

Windows Server 2008 x64

Windows Vista

Windows Vista x64

Windows Server 2003

Windows Server 2003 x64

Windows XP

Windows XP x64

### Serial Interface

#### Serial Standards:

RS-232 through D-Type 9 pin connector

RS485/422 (Isolated) 4 Pin Terminal Block

**Loading:** RS485/422 Max 32 Unit

#### Distance:

RS232 Length 15 m.

RS485/422 Length 1 Km.

### Environmental Limits

**Operating Temperature:** 0 to 55 °C

**Operating Humidity:** 5 to 95% RH

**Storage Temperature:** 0 to 70 °C

### Physical Characteristics

**Dimension:** W50 x H76 x D20 mm.

### Warranty

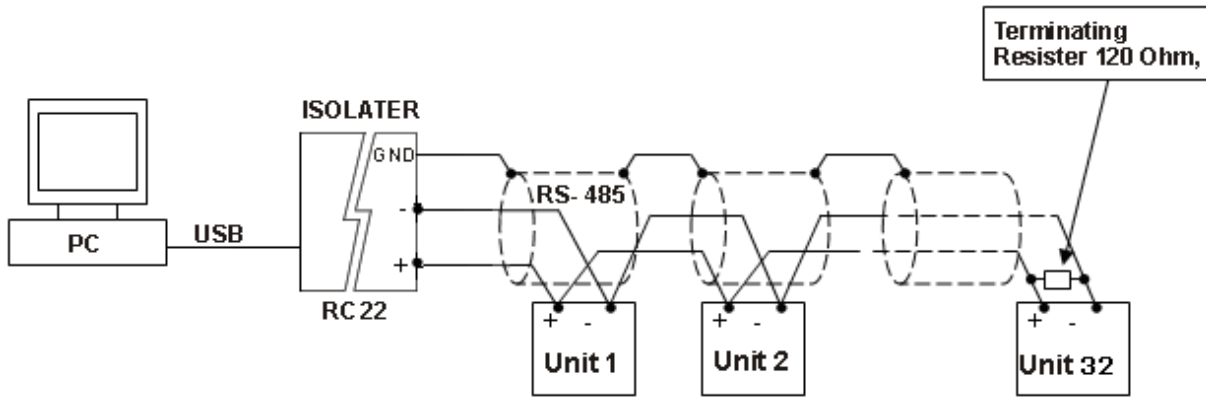
**Warranty Period:** 1 Year

**Ordering Information:**

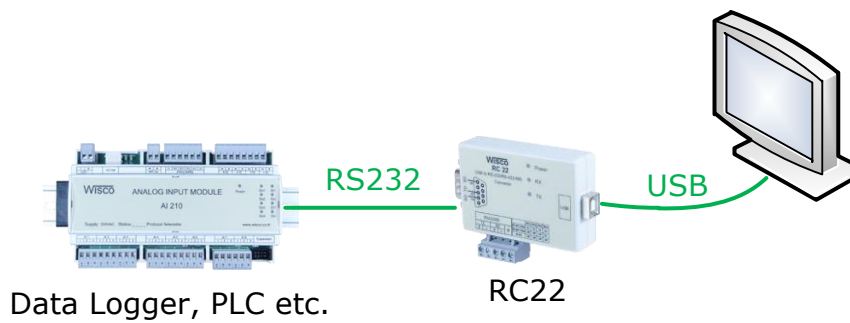
Example RC22

**Package Checklist**

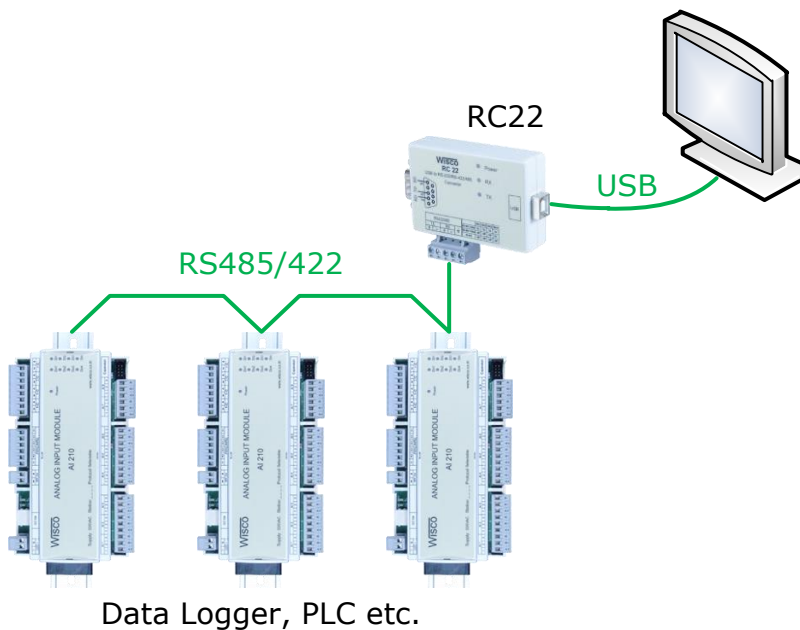
- 1. RC22
- 2. USB Cable



**การต่อใช้งาน RC22**



การเชื่อมต่อกับเครื่องคอมพิวเตอร์ผ่านทาง RS232



การเชื่อมต่อกับเครื่องคอมพิวเตอร์ผ่านทาง RS485/422