

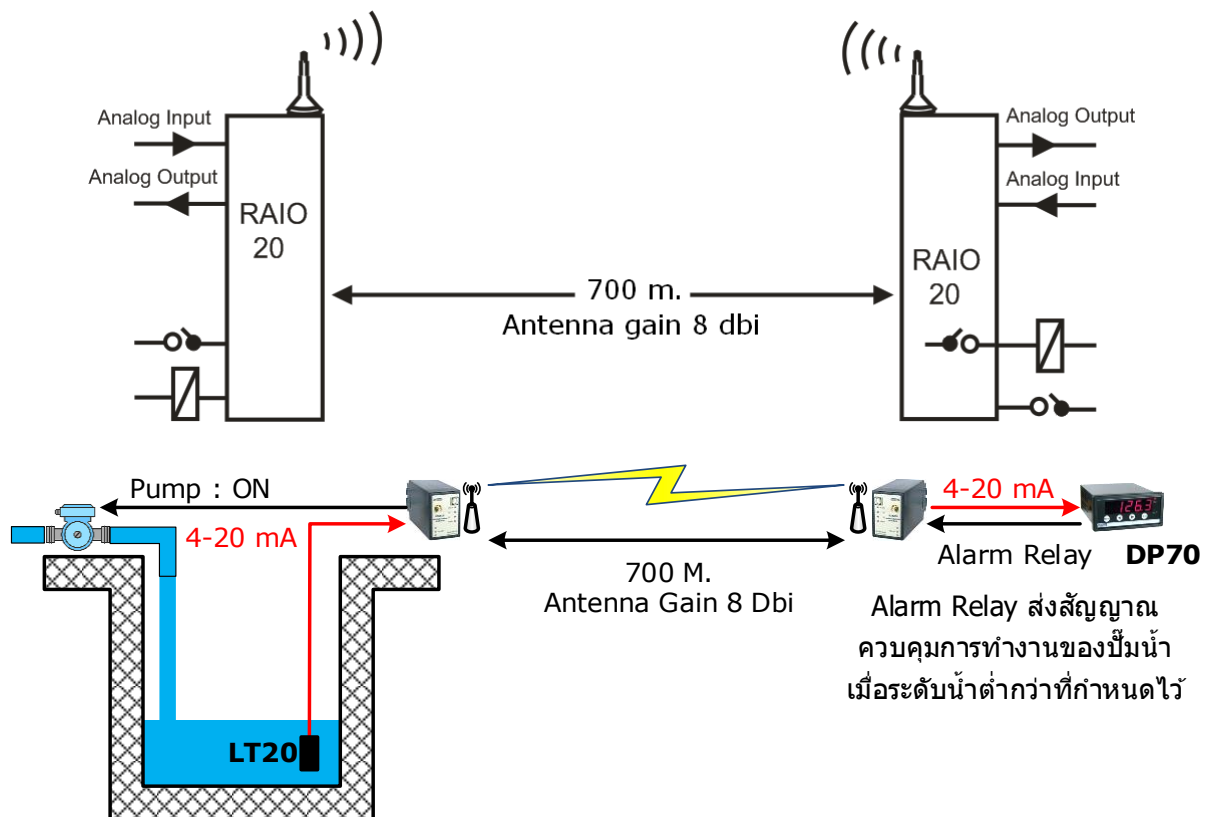
# Wireless Analog I/O Module

## RAIO 20



- 1 Analog In – Out
- 1 Digital In – Out
- Long Distance 700 m.
- No Wiring (RF Link)

**Wireless Analog I/O Module RAIO20** เป็นอุปกรณ์ทำหน้าที่ รับ-ส่ง สัญญาณ Analog (4-20 mA, 0-10 VDC, 1-5 VDC) และ Digital (ON - OFF) ผ่านทางสัญญาณวิทยุ จากจุดหนึ่งไปอีกจุดหนึ่ง ช่วยให้ประหยัดค่าใช้จ่ายในการเดินสายและติดตั้ง



## Specifications

### Wireless Interface

**RF Standard:** 802.15.4/Zigbee Compliant

**Frequency Band:** 2.4 GHz

**Max. RF Data Rate:** 250 Kbps

**RX Sensitivity:** (-)102 dBm

**TX Power:** (+)10 dBm (Max)

**Transmission Distance:**

Up to 90 m. Indoor/Urban

Up to 700 m. Outdoor RF line-of-sight  
(With Antenna gain > 8 dBi)

**Antenna Connector:** RP-SMA,  
Jack/Female

**Network Topology:** Point-to-Point

### Analog Input

**Number of Channel:** 1 Channel

**Input Type:** Current, Voltage

**Input Range:**

Current (4-20, 0-20 mA)

Voltage (0-5, 1-5, 0-10 VDC (Optional))

### Digital Input

**Number of Channel:** 1 Channel

**Sensor Type:** Dry Contact or NPN Open  
Collector

**Dry Contact:**

ON: Short to GND

OFF: Open

**Ordering Information:** Specify Power Supply, Input, Output

Example RAI200/220VAC/4-20mA/4-20mA

### Package Checklist

1. RAI200
2. USB Cable

### Analog Output

**Number of Channel:** 1 Channel

**Output Type:** Current, Voltage

**Output Range:**

Current (4 - 20, 0 - 20 mA)

Voltage (0 - 5, 1 - 5, 0 - 10 VDC (Optional))

**DAC Resolution:** 16 Bits

### Relay Output

**Number of Channel:** 1 Channel

**Relay Type:** NO / NC

**Contact Rating:**

5 A @ 250 VAC

5 A @ 30 VDC

**DAC Resolution:** 16 Bits

### Power Requirements

**Power Supply:** 85 to 230 VAC

(12 to 35 VDC Optional)

### Environmental Limits

**Operating Temperature:** 0 to 55 °C

**Operating Humidity:** 5 to 95% RH

**Storage Temperature:** 0 to 70 °C

### Physical Characteristics

**Dimension:** W50x H70x D140 mm.

**Mounting:** DIN Rail

### Warranty

**Warranty Period:** 5 Year