

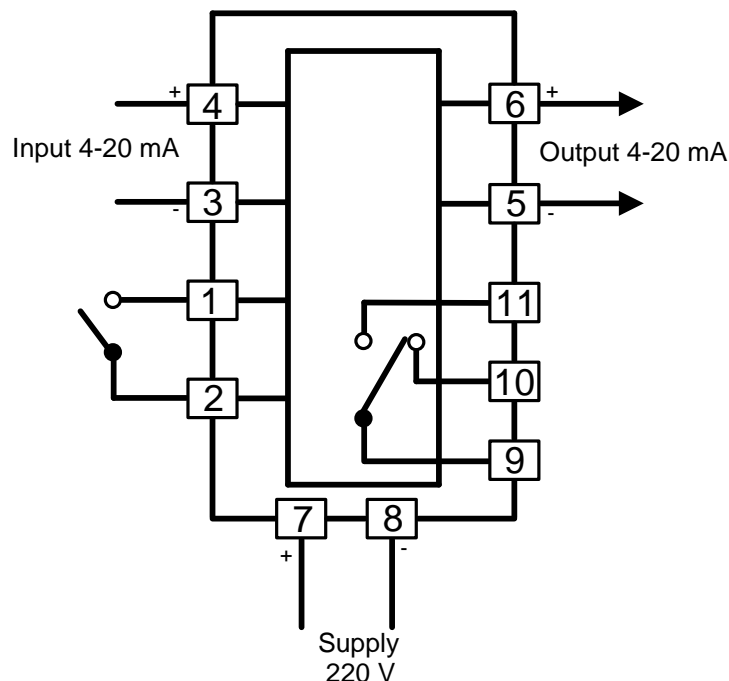
Wireless Analog I/O Module

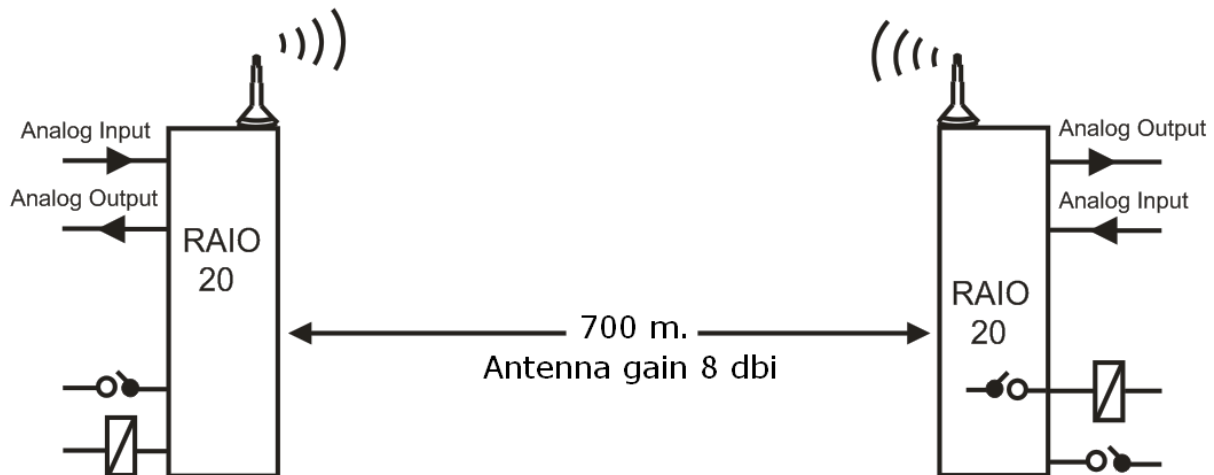
RAIO 20



- 1 Analog In - Out
- 1 Digital In - Out
- Long Distance 700 m.
- No Wiring (RF Link)

Wireless Analog I/O Module RAIO20 is the device for point-to-point sending/receiving analog signal (4 - 20 mA, 0 - 10 VDC, 1 - 5 VDC) and Digital signal (ON - OFF). It transmits through radio frequency.





Specifications

Wireless Interface

RF Standard: 802.15.4/Zigbee Compliant

Frequency Band: 2.4 GHz

Max. RF Data Rate: 250 Kbps

RX Sensitivity: (-)102 dBm

TX Power: (+)10 dBm (Max)

Transmission Distance:

Up to 90 m. Indoor/Urban

Up to 700 m. Outdoor RF line-of-sight
(With Antenna gain > 8 dBi)

Antenna Connector: RP-SMA,
Jack/Female

Network Topology: Point-to-Point

Analog Input

Number of channel: 1 Channel

Input type: Current, Voltage

Input range:

Current (4-20, 0-20 mA)

Voltage (0-5, 1-5, 0-10 VDC (Optional))

Digital Input

Number of channel: 1 Channel

Sensor Type: Dry Contact or NPN Open
Collector

Dry Contact:

ON: Short to GND

OFF: Open

Analog Output

Number of channel: 1 Channel

Output type: Current, Voltage

Output range:

Current (4-20, 0-20 mA)

Voltage (0-5, 1-5, 0-10 VDC (Optional))

DAC Resolution: 16 Bits

Relay Output

Number of channel: 1 Channel

Relay Type: NO / NC

Contact Rating:

6 A @ 250 VAC

6 A @ 30 VDC

DAC Resolution: 16 Bits

Power Requirements

Power Supply: 220 VAC

12 VDC, 24 VDC (Optional)

Environmental Limits

Operating Temperature: 0 to 55 °C

Operating Humidity: 5 to 95% RH

Storage Temperature: 0 to 70 °C

Physical Characteristics

Dimension: W50x H70x D130 mm.

Mounting: DIN Rail

Warranty

Warranty Period: 5 year

Ordering Information: Specify Power Supply, Input, Output

Example RAI200/220VAC/4-20mA/4-20mA

Package Checklist

- | | | | |
|-----------|--------------|-----------|----------------|
| 1. RAI200 | 2. USB Cable | 3. Manual | 4. CD Software |
|-----------|--------------|-----------|----------------|