

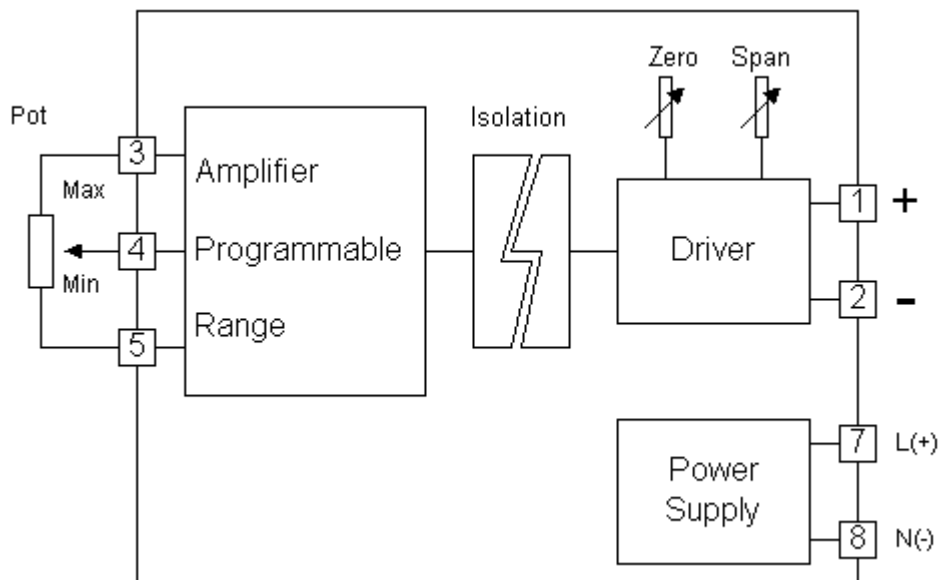
Potentiometer Transmitter

PT 95



- Output linear to pot. Position
- Provides pot. Excitation
- Isolation of input output and supply power
- Wide input range

The Potentiometer Transmitter PT95 provides potentiometer excitation and produces a standard process output voltage or current linearly proportional to the position of the potentiometer wiper. The typical applications are position sensor, remote setpoint or indication of valve position.



Specifications

Potentiometer Input

Number of channel: 1 Channel

Input type: Potentiometer

Input range: 100 Ω thru 50 K Ω

Linearity: < \pm 0.2% of span

Analog Output

Number of channel: 1 Channel

Output type: Current, Voltage

Output range:

Current (0 to 20, 4 to 20 mA)

Voltage (0 to 5, 1 to 5, 0 to 10 VDC)

Span: Adjustable 50-100 % of full scale output

Zero: Adjustable 0-50 % of the full scale output

Isolation voltage: 500 VAC between input, output and power supply

Output Load Resistance:

Current (Max. 1000 ohm)

Voltage (Min. 1000 ohm)

Power Requirements

Power Supply: 100, 110, 220 VAC (24 VDC Option)

Environmental Limits

Operating Temperature: 0 to 55 $^{\circ}$ C

Operating Humidity: 5 to 95% RH

Storage Temperature: 0 to 70 $^{\circ}$ C

Physical Characteristics

Dimension: W50 x H70 x D130 mm.

Mounting: Wall or DIN rail

Connection: Plug - in 11 pins socket

Warranty

Warranty Period: 5 Year

Ordering Information: Specify output, power supply

Example PT95/4-20 mA/220 VAC

Package Checklist

1. PT95