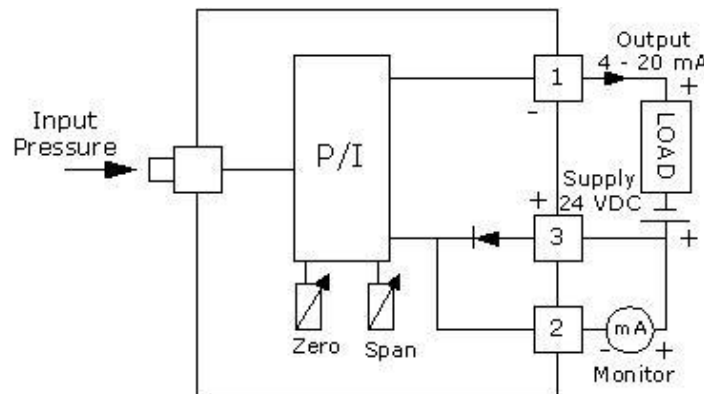


P/I Signal Converter PC37



- Pneumatic to Current Converter
- High Accuracy
- DIN or EN Rail Mounting

P/I Signal Converter PC37 transforms the Standard 0.2-1 Bar, 3-15 PSI into a Standard 4-20 mA current signal. The output signal can be connected to display units, recorder, controllers or to process control computer. The electronic components are fitted on circuit boards enclosed in a plastic housing suitable for mounting on a standard rail 35 mm.



Specifications

Pressure Input

Number of channel: 1 Channel

Input type: Pressure

Input range: 0.2 to 1 Bar, 3 to 15 PSI

Analog Output

Number of channel: 1 Channel

Output type: Current (2 Wire)

Output range: 4 to 20 mA

Linearity: < $\pm 0.02\%$ of Span

Loop powered: 12 to 35 VDC

Output Impedance: $R_L = 50 (E-15) \Omega$
{E = Power Supply Voltage}

Environmental Limits

Operating Temperature: 0 to 55 °C

Operating Humidity: 5 to 95 %RH

Storage Temperature: 0 to 70 °C

Physical Characteristics

Dimension: W22 x H80 x D100 mm.

Mounting: DIN or EN Rail

Warranty

Warranty Period: 1 year

Ordering Information:

Example

Package Checklist

1. PC37

Specify Input Range

PC37/3-15 PSI