

RS-232 Line Booster LB20



- Extending RS-232
- Data Rate 115.2 Kbps.
- DB 9 Connector

The **Line Booster LB20** is a RS-232 repeater that re-transmits all 8 signals and carries the ground line through. Many CE computers, Laptops, and some desktops ship with low-power versions of RS-232 port that are unable to drive port-powered devices or full - length RS-232 cabling.

The **LB20** can amplify these weak signals up to the RS-232 Standard for uses such as running port powered devices. It is also ideal for extending full-powered RS-232 cable runs beyond the typical 50 to 100 feet.

Specifications

Serial Interface

Serial Standards: TDB9 female for DCE side, DB9 male for DTE side

Data Rate: Up to 115.2 Kbps.

Power Requirements

Power Supply: 12 to 16 VDC max

Power Consumption

Standby: 40 mA

Environmental Limits

Operating Temperature: 0 to 55 °C

Operating Humidity: 5 to 95% RH

Storage Temperature: 0 to 70 °C

Physical Characteristics

Dimension: W117 x H65 x D23 mm.

Warranty

Warranty Period: 5 year

Ordering Information:

Example LB20

Package Checklist

1. LB20
2. RS-232 Cable
3. Adapter 12 VDC

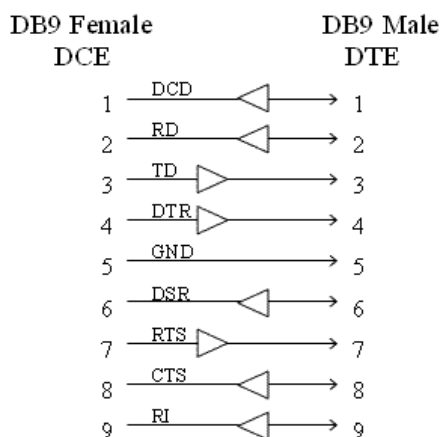


Figure 1: Signal Direction

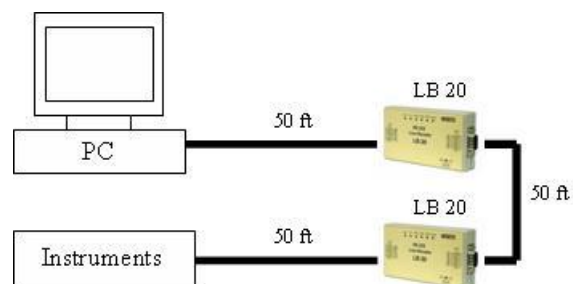


Figure 2: Lengthening Cable Runs