

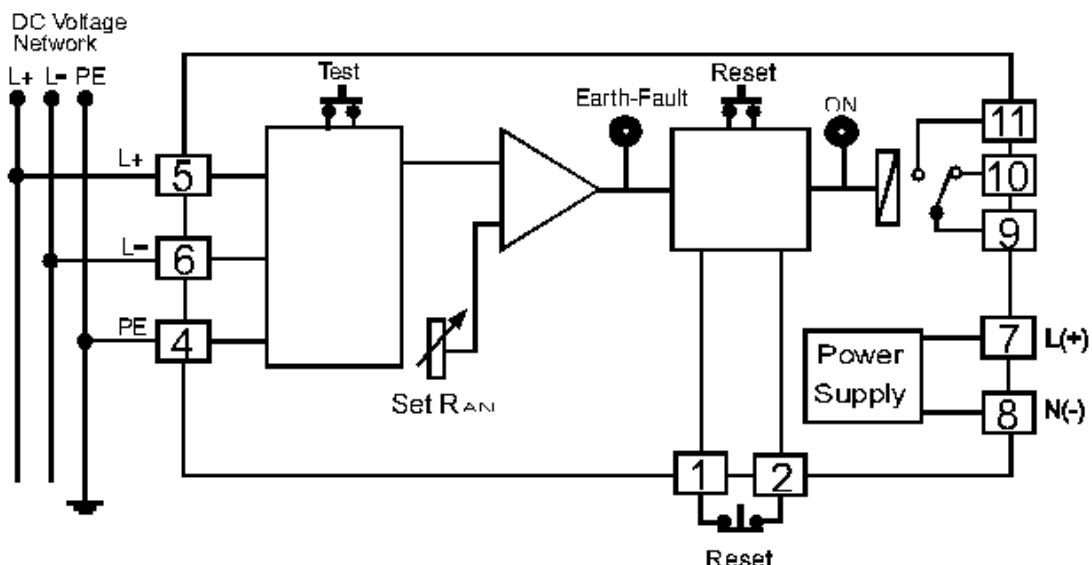
Insulation Monitoring Relay

IR195



- Insulation Monitor 10 to 200 K Ω
- SPDT Relay Contact Output.
- Earth Fault LED Indicator

The Insulation Monitoring Relay IR195 measures the network insulation resistance of ungrounded DC current networks to earth. Symmetrical earth faults are not detected, however this is of no significance for the fault conditions normally encountered. Threshold value RAN is factory set and non-variable. The IR 195 works according to the contact opening principle. Application of the aux. voltage causes the output relay to switch to the work position and a LED marked "ON" is lit, indicating that network insulation resistance $R_E > R_{AN}$. If the network insulation resistance drops below RAN the LED (ON) extinguishes, another LED marked "earth fault" is lit and the output relay deenergizes. With a jumper between terminal "1" and "2" IR 195 is programmed for memory, without link for hysteresis function. This link may be replaced by an external NC contact reset switch Correct functioning of the relay can be verified with a built-in test key.



Specifications

Input

Number of channel: 1 Channel

Input type: Voltage

Input range: 24, 48, 110, 125, 220
VDC ($\pm 20\%$)

Threshold RAN: 10 to 200 K Ω (Specify
when order)

Relay Output

Number of channel: 1 Channel

Relay type: N.O., N.C. (SPDT)

Contact Rating: 3 A @ 250 VAC

Power Requirements

Power Supply: 110, 220 VAC

Power Consumption: 2 VA

Ordering Information: Specify Input Voltage, Threshold RAN, Power Supply

Example IR195/125 VDC/50K Ω /220VAC

Package Checklist

1. IR195

Environmental Limits

Operating Temperature: 0 to 55 °C

Operating Humidity: 5 to 95% RH

Storage Temperature: 0 to 70 °C

Physical Characteristics

Dimension: W50 x H70 x D130 mm.

Mounting: Wall or DIN rail

Connection: Plug-in 11 pins socket

Wiring: Screw terminals on base socket

Warranty

Warranty Period: 5 year