

Humidity & Temperature Transmitter

HT120



- Precision Relative Humidity $\pm 3\%$ RH
- High Accuracy Temperature $\pm 0.4\text{ }^{\circ}\text{C}$
- Output 2 Wire 4-20 mA (Loop Powered)

The Humidity & Temperature Transmitter HT120 fit the requirement of accurate monitor the humidity and temperature in ambient air. The transmitter continuously measures the ambient humidity and provides an accurate, linear 4-20 mA output signal.

Specifications

Input

Number of Channel: 2 Channels

Input Type: Humidity, Temperature

Input Range:

Humidity

Input Range: 0 to 100 % RH

Working Range: 5 to 95 % RH

Response Time: 1 sec.

Precision Relative: $\pm 3\%$ RH (Max.),
0 - 80 % RH

Temperature

Input Range: 0 to 100 $^{\circ}\text{C}$

Working Range: 0 to 60 $^{\circ}\text{C}$

Accuracy: $\pm 0.4\text{ }^{\circ}\text{C}$ (Max.),
(-)10 to 85 $^{\circ}\text{C}$

Analog Output

Number of Channel: 2 Channels

Ordering Information:

Example HT120

Package Checklist

1. HT120

Output Type: Current (2-Wire)

Output Range: 4 to 20 mA

Loop Powered: 15 to 35 VDC

Output Load Resistance:

$$R_{\text{load (Max.)}} = (V_{\text{supply}} - 15)/0.02$$

Isolation Voltage: 500 Vrms, Between
Output

Environmental Limits

Operating Temperature: 0 to 60 $^{\circ}\text{C}$

Operating Humidity: 5 to 95% RH

Storage Temperature: 0 to 70 $^{\circ}\text{C}$

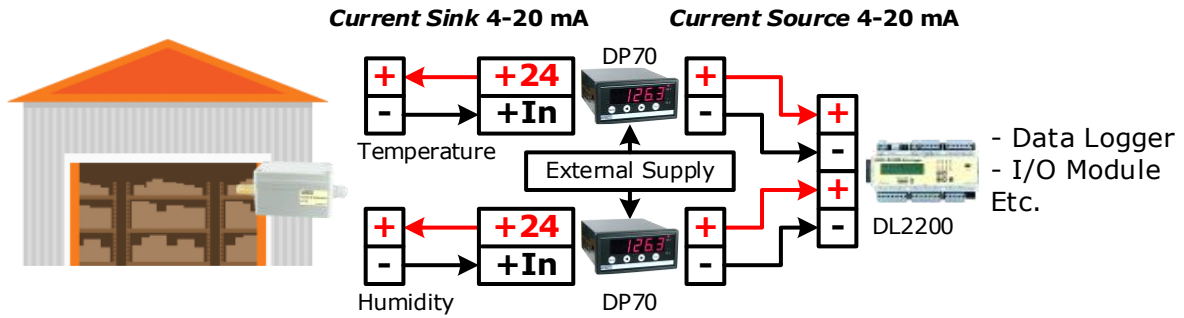
Physical Characteristics

Dimension: W65 x H140 x D55 mm.

Protection: IP67

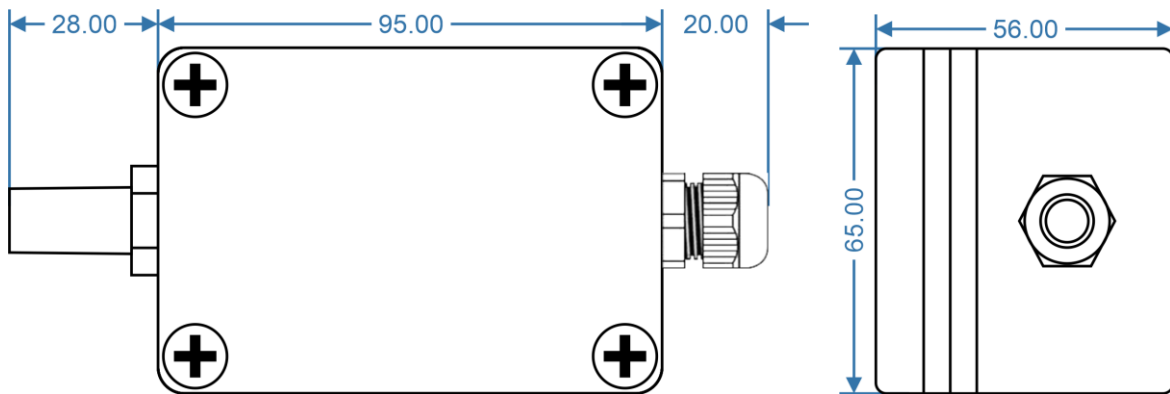
Warranty

Warranty Period: 1 Year



monitor or record data the humidity and temperature

Dimension (Unit: mm.)



Wiring

