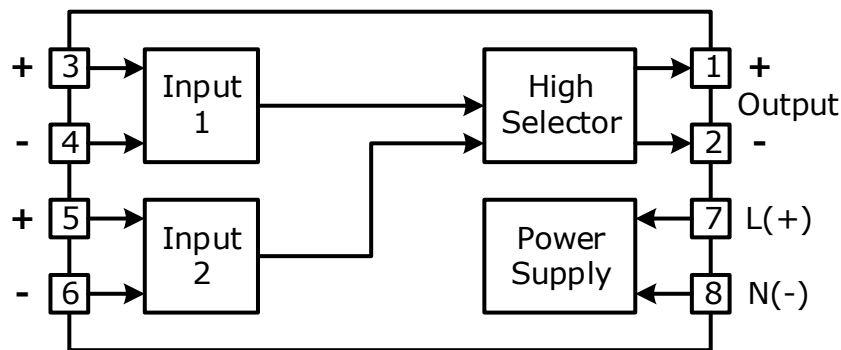


High Selector HS95



- Accept Two Input Signal
- Higher Selector
- DC Current 4 - 20 mA

High Selector HS95 Selects the higher signal for output signal.



Specifications

Analog Input

Input Type: Current

Input Range: 4 to 20 mA

Mode: High Selector

Linearity: ± 0.2 % of Span

Analog Output

Output Type: Current

Output Range: 4 to 20 mA

Power Requirements

Power Supply: 220 VAC

Environmental Limits

Operating Temperature: 0 to 55 °C

Operating Humidity: 5 to 95% RH

Storage Temperature: 0 to 70 °C

Physical Characteristics

Dimension: W50 x H70 x D130 mm.

Mounting: Wall or DIN Rail

Connection: Plug-in 11 Pins Socket

Warranty

Warranty Period: 5 Year

Ordering Information:

Example HS95

Package Checklist

1. HS95