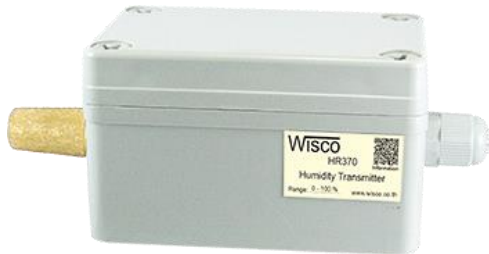


Humidity Transmitter

HR370



- Precision Relative Humidity $\pm 3\%$ RH
- Humidity Range 0 - 100 % RH
- Output 2 Wire 4 - 20 mA (Loop Powered)

The **Humidity Transmitter HR370** fit the requirement of accurate monitor the humidity in ambient air. The transmitter continuously measures the ambient humidity and provides an accurate, linear 4 - 20 mA output signal.

Specifications

Input

Number of Channel: 1 Channel

Input Type: Humidity

Input Range:

Input Range: 0 to 100 % RH

Working Range: 5 to 95 % RH

Response Time: 1 sec.

Precision Relative: $\pm 3\%$ RH (Max.),
0 - 80 % RH

Analog Output

Number of Channel: 1 Channel

Output Type: Current (2-Wire)

Output Range: 4 to 20 mA

Loop Powered: 15 to 35 VDC

Output Load Resistance:

$$R_{\text{load (Max.)}} = (V_{\text{supply}} - 15)/0.02$$

Isolation Voltage: 500 Vrms, Between Output

Environmental Limits

Operating Temperature: 0 to 60 °C

Operating Humidity: 5 to 95% RH

Storage Temperature: 0 to 70 °C

Physical Characteristics

Dimension: W65 × H140 × D55 mm.

Protection: IP67

Warranty

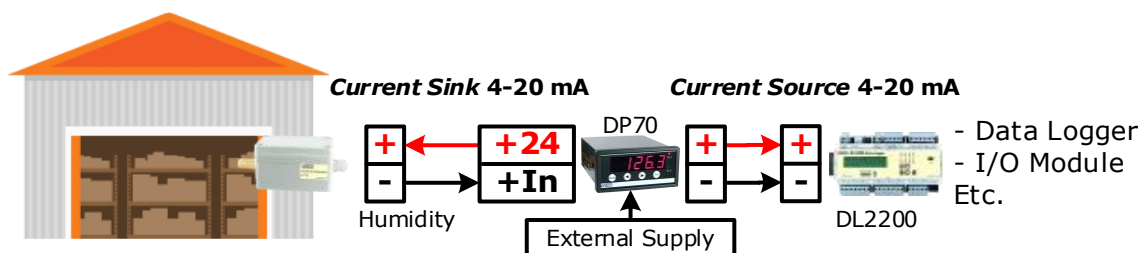
Warranty Period: 1 Year

Ordering Information:

Example HR370

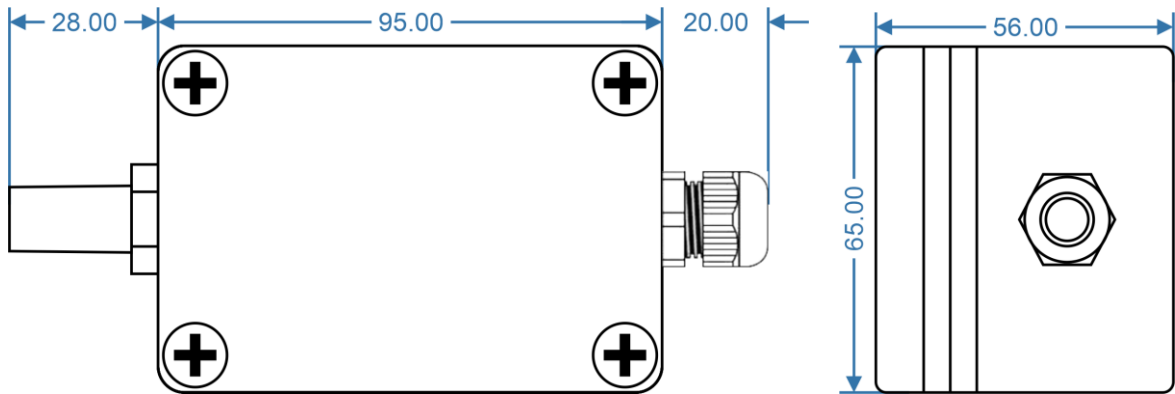
Package Checklist

1. HR370



monitor or record data the humidity.

Dimension (Unit: mm.)



Wiring

