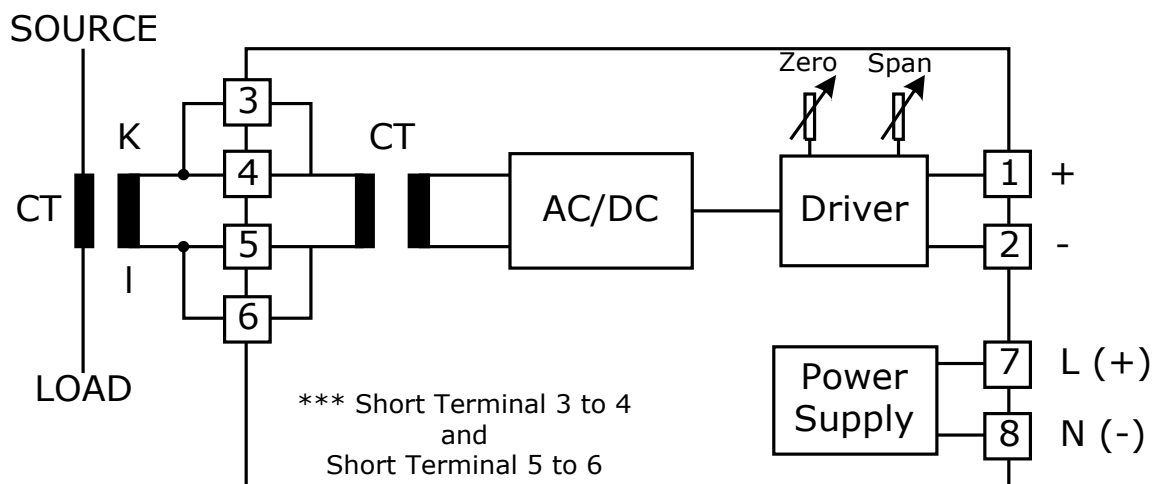


Current Transducer CT95



- Current Input 0 - 1 Aac,
0 - 5 Aac
- Analog Output 4 - 20 mA,
0 - 5 VDC, 0 - 10 VDC
- Isolated Input, Output and
Power Supply

Current Transducer CT95 is designed for converting sinusoidal alternating current into a load independent DC output signal proportional to the measured RMS. input values.



Specifications

Input

Number of Channel: 1 Channel

Input Type: Current

Input Range: 0 - 1, 0 - 5 Aac (Over-Range 120% Continuously, 200% for 10 sec.)

Input Loss: 1 VA Max.

Analog Output

Number of Channel: 1 Channel

Output Type: Current, Voltage

Output Range:

Current Max 0 to 1 mA (Load Resistance 10 K Ω)

Current Max 0 to 5 mA (Load Resistance 2 K Ω)

Current Max 0 to 10 mA (Load Resistance 1 K Ω)

Current Max 0 to 20 mA (Load Resistance 600 Ω)

Current Max 4 to 20 mA (Load Resistance 600 Ω)

Voltage Min 0 to 10 mVDC (Load Resistance 500 Ω)

Voltage Min 0 to 100 mVDC (Load Resistance 500 Ω)

Ordering Information: Specify Input, Output, Power supply

Example CT95/0-5 A/4-20 mA/220 VAC

Package Checklist

1. CT95

Voltage Min 0 to 1 VDC (Load Resistance 500 Ω)

Voltage Min 0 to 5 VDC (Load Resistance 1 K Ω)

Voltage Min 1 to 5 VDC (Load Resistance 1 K Ω)

Voltage Min 0 to 10 VDC (Load Resistance 2 K Ω)

Linearity: \pm 0.5 % of Span

Power Requirements

Power Supply: 110, 220 VAC

Environmental Limits

Operating Temperature: 0 to 55 $^{\circ}$ C

Operating Humidity: 5 to 95% RH

Storage Temperature: 0 to 70 $^{\circ}$ C

Physical Characteristics

Dimension: W50 x H70 x D130 mm.

Mounting: Wall or DIN rail

Construction: plug-in

Wiring: Screw Terminals on Base Socket

Warranty

Warranty Period: 5 Year