

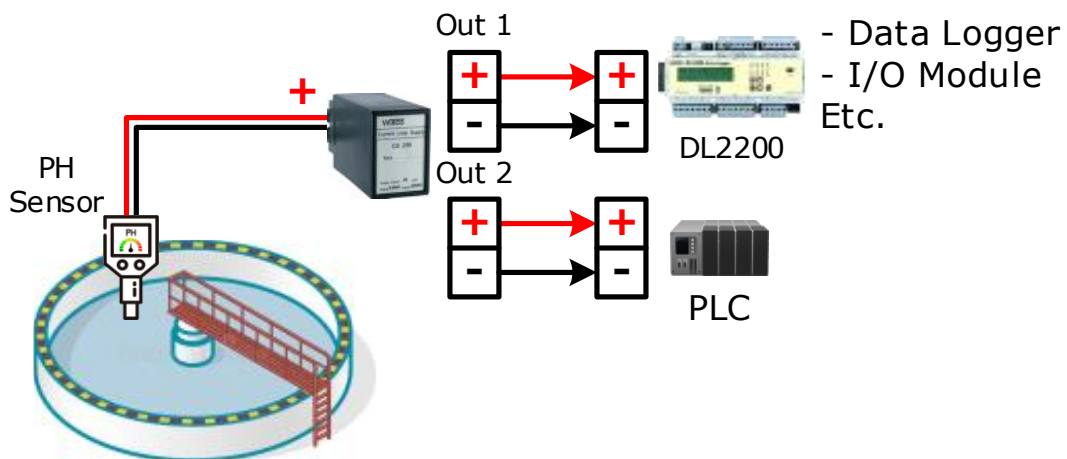
Current Loop Supply (Isolated 2 Channels)

CS198



- Power 2 wire transmitter
- 2 Isolated Channels Output
- Output 4-20 mA, 1-5 V, 0-10 V
- Din rail mounting

The Current Loop Supply CS198 provides a floating DC supply for energizing a 2-wire transmitter and repeats the transmitter signal in another two floating circuits to drive loads.



Specifications

Analog Input

Number of Channel: 1 Channel

Input Type: Current

Input range: 4 to 20 mA

Input Impedance: Max 20 Ω

Analog Output

Number of Channel: 2 Channels
(Isolated)

Output Type: Current, Voltage

Output Range:

Current (4 to 20 mA)

Voltage (1 to 5 VDC, 0 to 10 VDC)

Linearity: < ± 0.1% of span

Transmitter Power Supply:

36 mA @ 24 VDC

Isolation Voltage: 500 VAC, 1 min.

between input, output, and power supply

Power Requirements

Power Supply: 110, 220 VAC (24, 110, 125 VDC Option)

Environmental Limits

Operating Temperature: 0 to 55 °C

Operating Humidity: 5 to 95% RH

Storage Temperature: 0 to 70 °C

Physical Characteristics

Dimension: W50 × H70 × D130 mm.

Mounting: Wall or DIN Rail

Construction: Plug - In

Wiring: Screw terminals on base socket

Warranty

Warranty Period: 5 Year

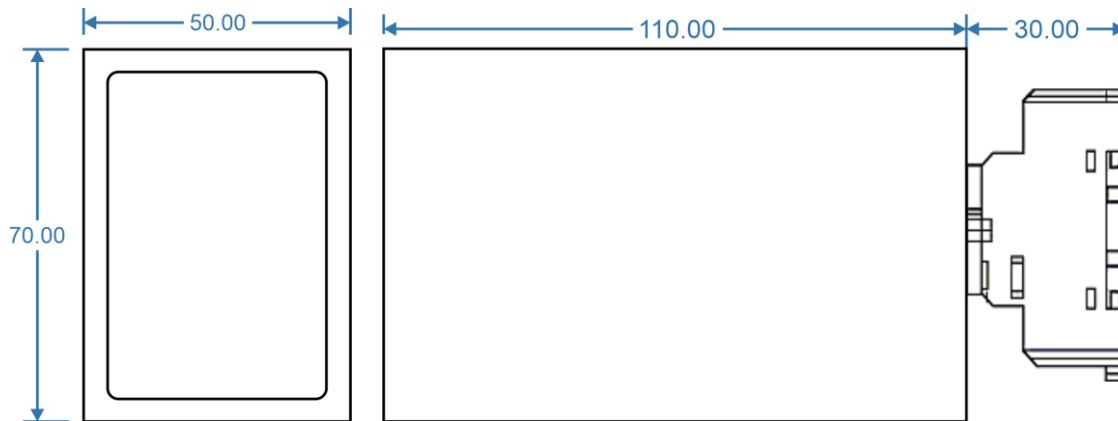
Ordering Information: Specify Output1, Output2, Power supply

Example CS198/4-20 mA/1-5 VDC/220 VAC

Package Checklist

1. CS198

Dimension (Unit: mm.)



Wiring

