

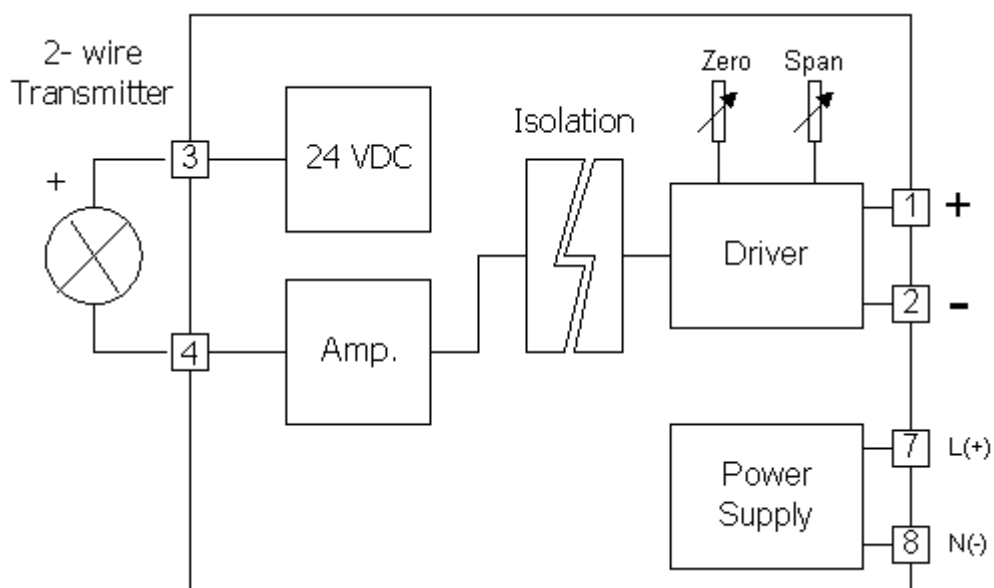
# Current Loop Supply (Isolate)

## CS195



- Powers 2 wire transmitter
- Intrinsically safe without barriers or safety earth
- Output 4-20mA, 1-5V, 0-10V
- DIN rail mounting

**The Current Loop Supply CS195** provides a floating DC supply for energizing a 2-wire transmitter in a hazardous area, and repeats the transmitter signal in another floating circuit to drive a safe-area load. The unit is intrinsically safe for connection to Zone 0, 1 or 2 hazardous-area wiring, does not require the use of safety barriers and dispenses with the need for isolation in transmitters used with earthed or poorly insulated sensors.



## Specifications

### Analog Input

**Number of channel:** 1 Channel

**Input type:** Current

**Input range:** 4 to 20 mA

**Input impedance:** Max 20 Ω

### Analog Output

**Output type:** Current, Voltage

**Output range:**

Current (4 to 20 mA)

Voltage (1 to 5 VDC, 0 to 10 VDC)

**Linearity:** < ± 0.2 % of span

**Transmitter power supply:**

36 mA @ 24 VDC

**Isolation voltage:** 500 VAC, 1 min.

between input, output, and power supply

**Ordering Information:** Specify Output, Power supply

Example CS195/4-20 mA/220 VAC

### Package Checklist

1. CS195

### Power Requirements

**Power Supply:** 110, 220 VAC

(24, 110, 125 VDC Option)

### Environmental Limits

**Operating Temperature:** 0 to 55 °C

**Operating Humidity:** 5 to 95% RH

**Storage Temperature:** 0 to 70 °C

### Physical Characteristics

**Dimension:** W 50 x H70 x D130 mm.

**Mounting:** Wall or DIN rail

**Construction:** plug - in

**Wiring:** Screw terminals on base socket

### Warranty

**Warranty Period:** 5 year