

# Alarm Annunciator AL3000

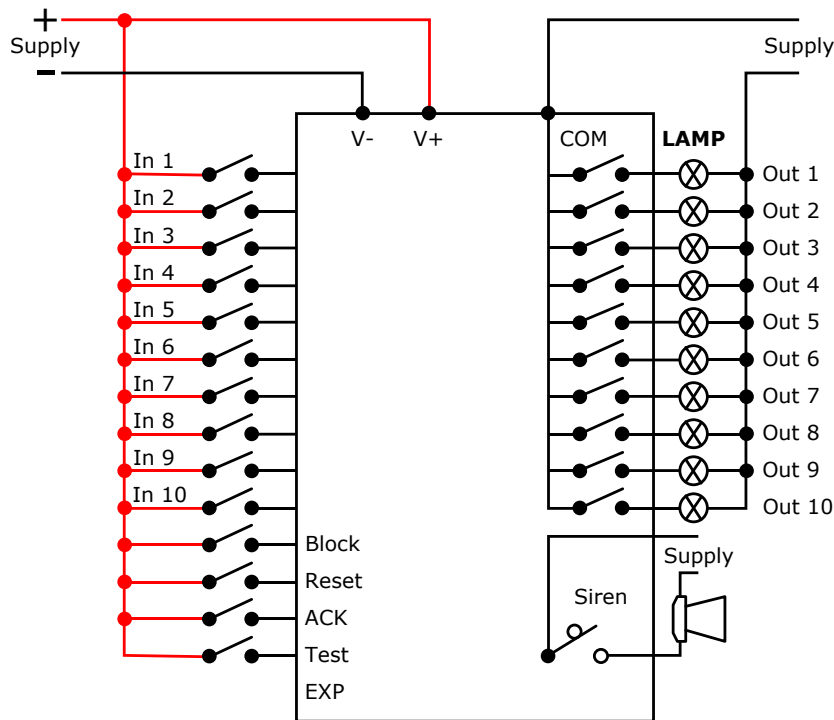


- 10 Channels Input
- LED Display
- Siren Relay Output
- First Alarm Detect
- Expandable Input Channel

**Alarm Annunciator AL3000** can control the alarm sequence of the alarm annunciator system. It can get 10 points of alarm signals and have output contact to control external alarm lamps for indicating the alarm status. If alarm is more than 10 points this module can be set to expand up to 32 units.

In many cases one alarm is caused by another and it is difficult to find the first one, this is the reason why AL3000 should be installed. One alarm has been initiated LED will light up and the first alarm come with the quick flash and other will be slow flash. When alarm is come up Siren relay is "on" and it turn off by click "ACK" button while Alarm LED stops flashing, LED of alarm will turn off after problem have been fix and click "RESET" button.

Input Status	First Alarm	Subsequent Alarm	Siren
First Alarm	Quick Flash	OFF	ON
Subsequent Alarm	Quick Flash	Slow Flash	ON
ACK	Steady - ON	Steady - ON	OFF
Return to Normal	Steady - ON	Steady - ON	OFF
Reset	OFF	OFF	OFF
Test	Slow Flash	Slow Flash	ON



## Specifications

### Alarm Input

**Number of channel:** 10 Channels

**Alarm Input:** Programmable (NO/NC Contact)

**Alarm Input Delay:** Programmable (50 msec, 500 msec, 2 sec and 15 sec)

**Lamp Flash Frequency:** Slow Flash 0.8 Hz, Quick Flash 8 Hz

### Relay Output

**Number of channel:** 11 Channels

**Relay type:** N.O.

**Contact Rating:**

**Output:** 500 mA @ 120 VAC

1 A @ 24 VDC

300 mA @ 60 VDC

**Siren:** 5 A @ 250 VAC

5 A @ 24 VDC

### Power Requirements

**Power Supply:** 12 to 24 VDC  $\pm$  20 %, 100 to 130 VDC  $\pm$  20 %

**Ordering Information:** Specify Power Supply

Example AL3000/24VDC

### Package Checklist

1. AL3000
2. Manual

### Power Consumption

**Standby:** 100 mA @ 12 VDC

**Operate Full:** 300 mA @ 12 VDC

### Environmental Limits

**Operating Temperature:** 0 to 55 °C

**Operating Humidity:** 5 to 95% RH

**Storage Temperature:** 0 to 70 °C

### Physical Characteristics

**Dimension:** W144 x H144 x D43 mm.

**Mounting:** Panel Flash Mounting

**Wiring:** Screw Terminals

**Weight:** 0.5 Kg

### Warranty

**Warranty Period:** 5 year

