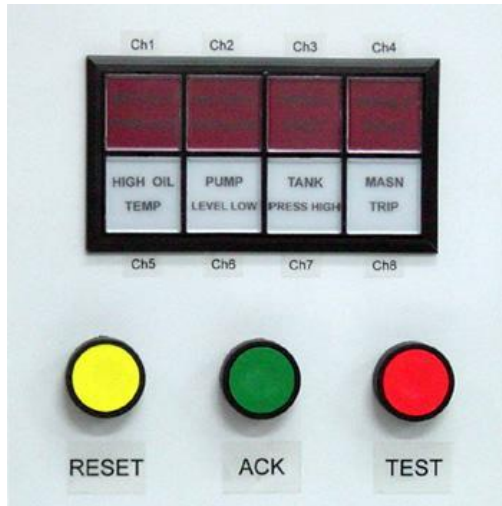


# Alarm Annunciator

## AL1000



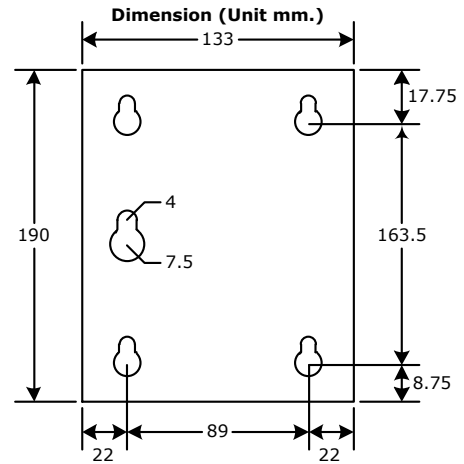
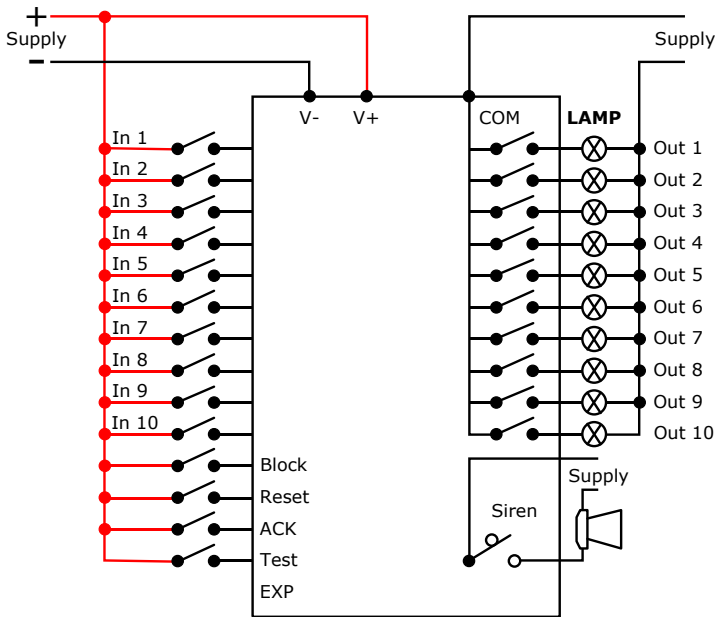
- 10 Channels Input
- Siren Relay Output
- First Alarm Detect
- Expandable Input Channel

\*\*\* This picture show example of external lamp install with AL1000 Panel is not come with AL1000

**Alarm Annunciator AL1000** can control the alarm sequence of the alarm annunciator system. It can get 10 points of alarm signals and have output contact to control external alarm lamps for indicating the alarm status. If alarm is more than 10 points this module can be set to expand up to 32 units.

In many cases one alarm is caused by another and it is difficult to find the first one, this is the reason why AL1000 should be installed. One alarm has been initiated LED will light up and the first alarm come with the quick flash and other will be slow flash. When alarm is come up Siren relay is "on" and it turn off by click "ACK" button while Alarm LED stops flashing, LED of alarm will turn off after problem have been fix and click "RESET" button.

| Input Status     | First Alarm | Subsequent Alarm | Siren |
|------------------|-------------|------------------|-------|
| First Alarm      | Quick Flash | OFF              | ON    |
| Subsequent Alarm | Quick Flash | Slow Flash       | ON    |
| ACK              | Steady - ON | Steady - ON      | OFF   |
| Return to Normal | Steady - ON | Steady - ON      | OFF   |
| Reset            | OFF         | OFF              | OFF   |
| Test             | Slow Flash  | Slow Flash       | ON    |



## Specifications

### Alarm Input

**Number of channel:** 10 Channels

**Alarm Input:** Programmable NO/NC Contact

**Alarm Input Delay:** Programmable  
(50 msec, 500 msec, 2 sec and 15 sec)

### Lamp Flash Frequency:

Slow Flash 0.8 Hz, Quick Flash 8 Hz

### Relay Output

**Number of channel:** 11 Channels

**Relay type:** N.O.

### Contact Rating:

**Output:** 500 mA @ 120 VAC

1 A @ 24 VDC

300 mA @ 60 VDC

**Siren:** 5 A @ 250 VAC

5 A @ 24 VDC

### Power Requirements

**Power Supply:** 12 to 24 VDC  $\pm$  20 %

(100 to 130 VDC  $\pm$  20 % Optional)

**Ordering Information:** Specify Power Supply

Example AL1000/24VDC

### Package Checklist

1. AL1000

### Power Consumption

**Standby:** 50 mA @ 12 VDC

**Operate Full:** 300 mA @ 12 VDC

### Environmental Limits

**Operating Temperature:** 0 to 55 °C

**Operating Humidity:** 5 to 95% RH

**Storage Temperature:** 0 to 70 °C

### Physical Characteristics

**Dimension:** W133  $\times$  H190  $\times$  D43 mm.

**Mounting:** Panel Flash Mounting

**Wiring:** Screw Terminals

**Weight:** 0.5 Kg

### Warranty

**Warranty Period:** 5 Year



Picture of AL1000