

Universal Analog Input Module

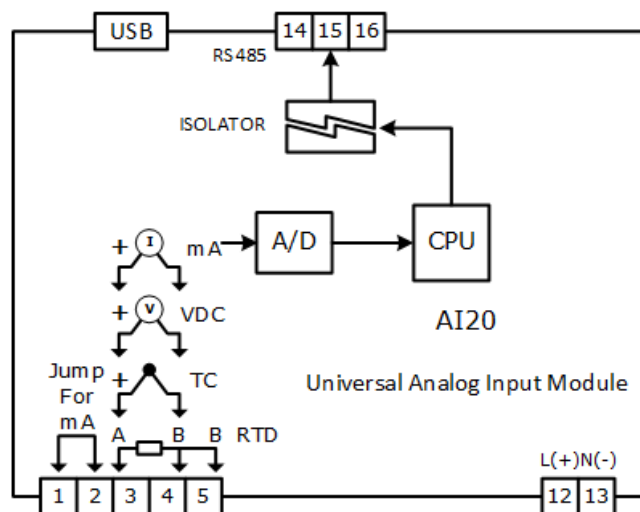
AI20



- Programmable Input Type
- 1 Analog Input Channel
- RS-485 Isolated

Analog Input Module AI20 is device that compatible with various type of Analog Input. Analog Input can be program using computer programing to receive Sensor such as Thermocouple, RTD, and Voltage etc.

AI20 Communicate Thru RS-485 serial port which is compatible with PC, PLC, and touch screen display using Modbus protocol either ASCII or RTU



Specifications

USB Interface

Compliance: USB 1.1/2.0

Connector: USB Type Mini-A (Female)

Speed: 12 Mbps (Full-Speed USB)

Class: CDC

Serial Interface

Interface: RS485 (Isolated) 2 Pin Terminal Block

Loading: RS485 Max 32 Unit

Distance: RS485/422 Length 1 Km.

Protocol: MODBUS (ASCII, RTU), Wisco ASCII

Support Software: Citect, Wonderware, Lab View, Fix, Genesis etc.

Serial Parameter

Baud Rate: 115200, 57600, 19200, 9600, 4800

Data Bits: 7, 8

Stop Bits: 1, 2

Parity: None, Even, Odd

Analog Input

Number of channel: 1 Channel

Input type: Programmable Input

Input range:

Thermocouple (R, S, K, E, J, T, B)

RTD (Cu10, PT100, PT1000)

Resistance (0-600 Ω , 0-1.2 K Ω , 0-4 K Ω)

Voltage mVDC (0-80, 0-150 mVDC)

Voltage (0-1, 0-5, 0-15, 0-30 VDC)

Current (4-20 mA, 0-20 mA, 0-40 mA)

Isolation: Relay Isolated

ADC Resolution: 16 Bits

Power Requirements

Power Supply: 220 VAC \pm 10%

(12 VDC, 24 VDC Optional)

Environmental Limits

Operating Temperature: 0 to 55 $^{\circ}$ C

Operating Humidity: 5 to 95% RH

Storage Temperature: 0 to 70 $^{\circ}$ C

Physical Characteristics

Dimension: W20 x H100 x D118 mm.

Mounting: DIN Rail

Warranty

Warranty Period: 5 Year

Ordering Information: Specify Power Supply

Example AI20/220VAC

Package Checklist

1. AI20
2. USB Cable
3. Resistor 250 Ω

